

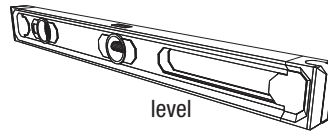
KNIGHT™ BOLLARD

SECURITY BOLLARD WIRING & INSTALLATION INSTRUCTIONS

MATERIALS INCLUDED

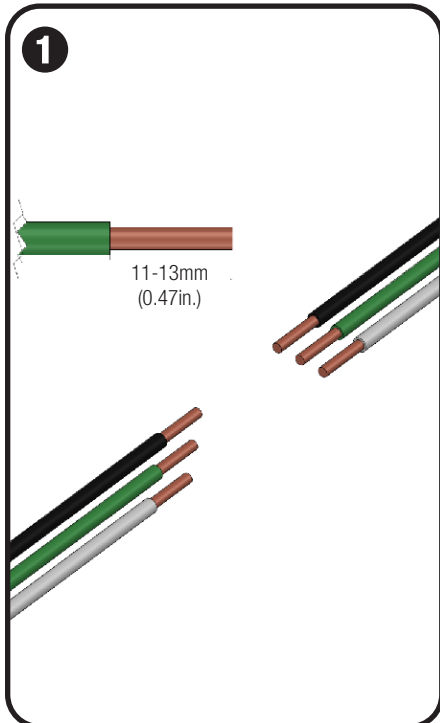


TOOLS NEEDED



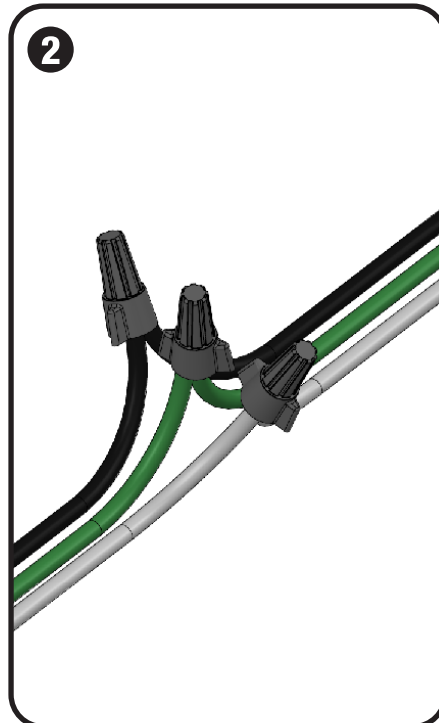
STEP BY STEP

WIRING INSTRUCTIONS FOR ALL ILLUMINATED KNIGHT BOLLARDS WITH EMBEDDED SECURITY CORES



Locate and prepare wires

- Before proceeding with wiring of luminary, check to ensure that all applicable site wiring and safety codes have been followed.
- Locate wires at base of light fixture.
- Ensure power supply is shut off and circuit being used is isolated.
- Prepare wiring from site junction box and bollard by stripping and removing 11-13mm (.47") of insulation.



Connect wires

- Insert ground (green), neutral (white), and positive (black) wires into provided wire nuts, being sure to match wire color codes from junction box to bollard.
- Tighten wire nuts until exposed wire ends are below bottom of wire nut.
- Inspect all wiring and connections before.

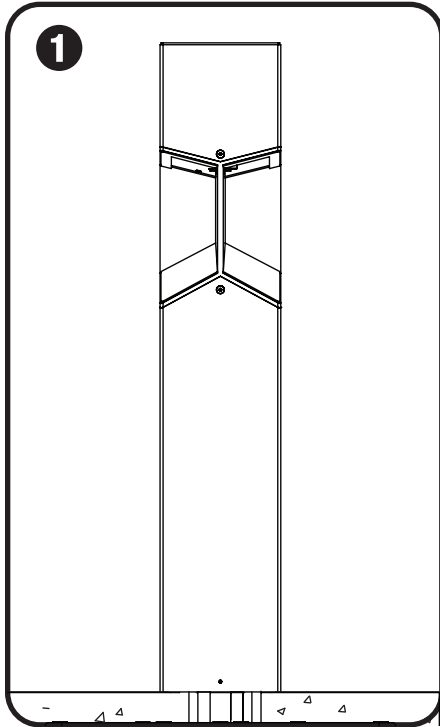
NOTES:

- Installation should be performed only by qualified individuals.
- Wire used should be 22-14 AWG copper conductors.
- Caution: Installation of a surge protector as part of each unit's wiring is recommended. Light fixture rated for 120-277 VAC power.

KNIGHT™ BOLLARD

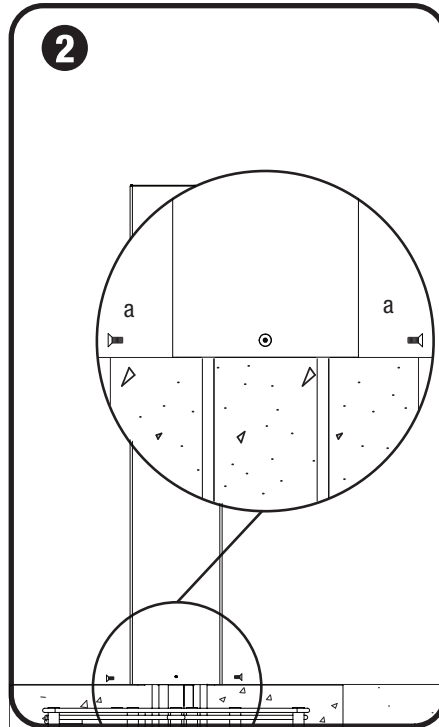
SECURITY BOLLARD WIRING & INSTALLATION INSTRUCTIONS

STEP BY STEP INSTALLATION INSTRUCTIONS FOR ALL KNIGHT BOLLARDS WITH EMBEDDED SECURITY CORES



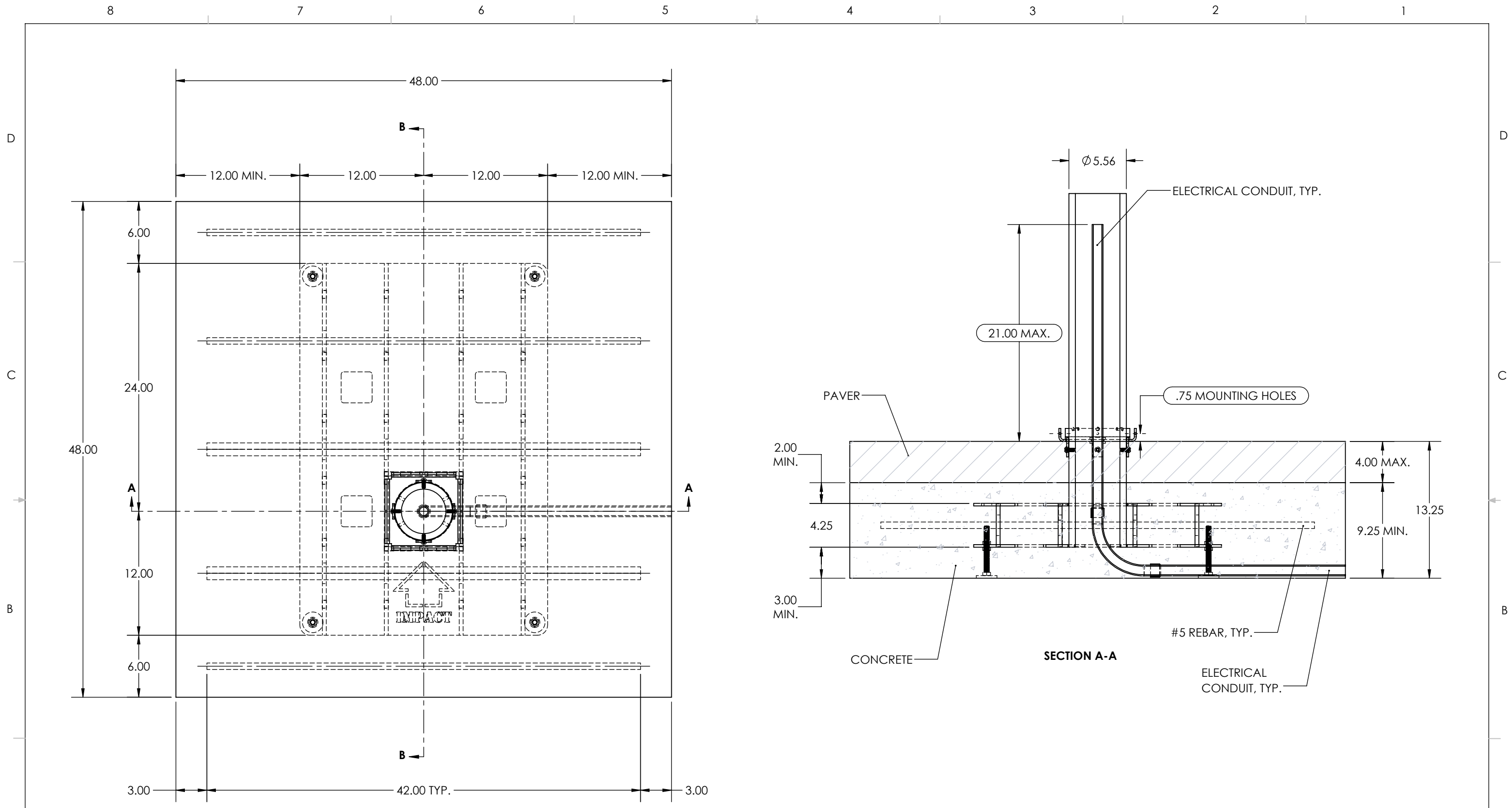
Position bollard over security core

- Inspect security core for moisture. If moisture is present, dry entirely before installing fixture. Do not install fixture unless security core is completely dry.
- Slide bollard over security core so that mounting holes in bollard body align with tapped holes in security core.



Attach bollard to security core

- Thread 1/4"-20 x 3/4" flat head cap bolt (a) into each lower hole in bollard.
- Use 5/32" hex bit or key to tighten all bolts until snug.



TOP VIEW

SECTION A-A

UNLESS OTHERWISE SPECIFIED:
 1. PRIMARY DIM. ARE IN INCHES & SECONDARY [DIM] IN MM
 2. TOLERANCES
 FRACTIONAL: ±1/32; ANGULAR/BEND: ±1°
 TWO PLACE DECIMAL ±.030
 THREE PLACE DECIMAL ±.020
 3. REMOVE ALL BURRS AND SHARP EDGES

THIRD ANGLE PROJECTION

MATERIAL: N/A

FINISH: N/A

WEIGHT: N/A

SCALE: NOT TO SCALE

FORMS+SURFACES 30 Pine Street, Pittsburgh, PA 15223
 Tel (412) 781-9003 Fax (412) 781-7840

NAME	DATE	DESCRIPTION:
DWN	YAF	07/06/2023
CHK		

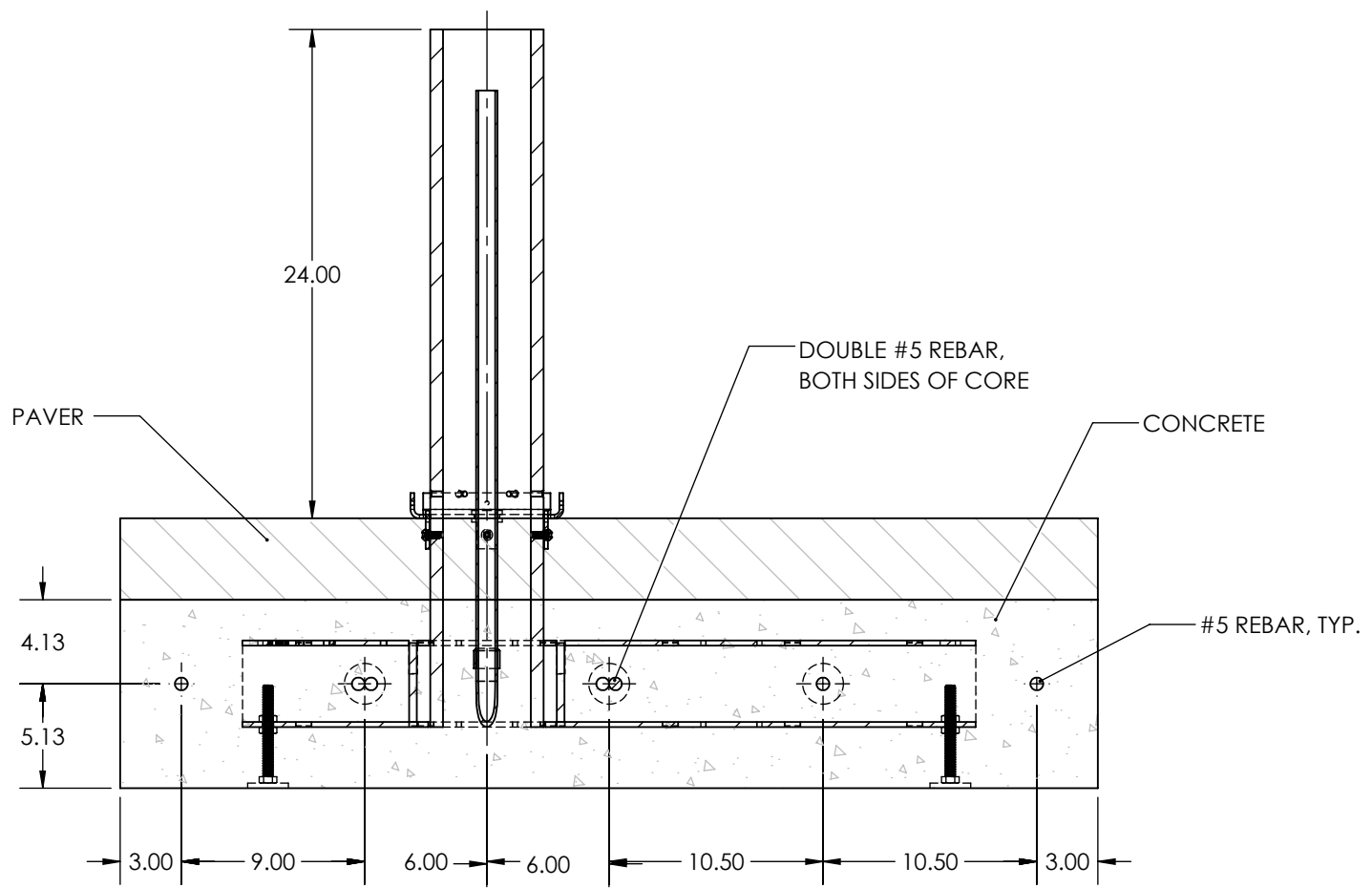
DO NOT SCALE DRAWING

PROPRIETARY AND CONFIDENTIAL
 THE INFORMATION CONTAINED IN THIS DRAWING IS THE SOLE PROPERTY OF FORMS + SURFACES. ANY REPRODUCTION IN PART OR AS A WHOLE WITHOUT WRITTEN PERMISSION IS PROHIBITED.

SIZE	DWG. NO.	REV	SHEET
B	SC30-SH-IND-PV-LBKNI-INSTALL	1	1 OF 3

FORMS+SURFACES
SC30-P1 SHALLOW SECURITY CORE, KNIGHT
INDIVIDUAL FOUNDATION, WITH PAVER

REV.	DESCRIPTION	REVISED BY	DATE
0	INITIAL RELEASE	-----	-----



SECTION B-B

NOTES:

- FOOTINGS HAVE BEEN DESIGNED TO BEAR ON UNDISTURBED SOIL OR PROPERLY COMPACTED ENGINEERED FILL ASSUMING A NET BEARING CAPACITY OF 2000 PSF.
- REINFORCED CONCRETE WORK SHALL BE DONE IN ACCORDANCE WITH THE "BUILDING CODE REQUIREMENTS FOR REINFORCED CONCRETE" (ACI 318) AND THE SPECIFICATIONS FOR STRUCTURAL CONCRETE (ACI 301) OF THE AMERICAN CONCRETE INSTITUTE (EDITIONS AS REQUIRED BY GOVERNING CODE).
- CAST-IN-PLACE CONCRETE SHALL BE NORMAL WEIGHT CONCRETE WITH A MINIMUM 28-DAY COMPRESSIVE STRENGTH (F'c) OF 5000 PSI UNO.
- PROVIDE 6% (+/-1.5%) AIR ENTRAINMENT IN CONCRETE EXPOSED TO FREEZE/THAW.
- DEFORMED BAR REINFORCEMENT SHALL BE ASTM A615, GRADE 60; SEE CHART FOR SIZING.
- REINFORCEMENT SHALL BE SECURELY HELD IN PLACE WHILE PLACING CONCRETE. IF REQUIRED, ADDITIONAL BARS, STIRRUPS, OR CHAIRS SHALL BE PROVIDED TO FURNISH SUPPORT FOR SPECIFIED BARS.

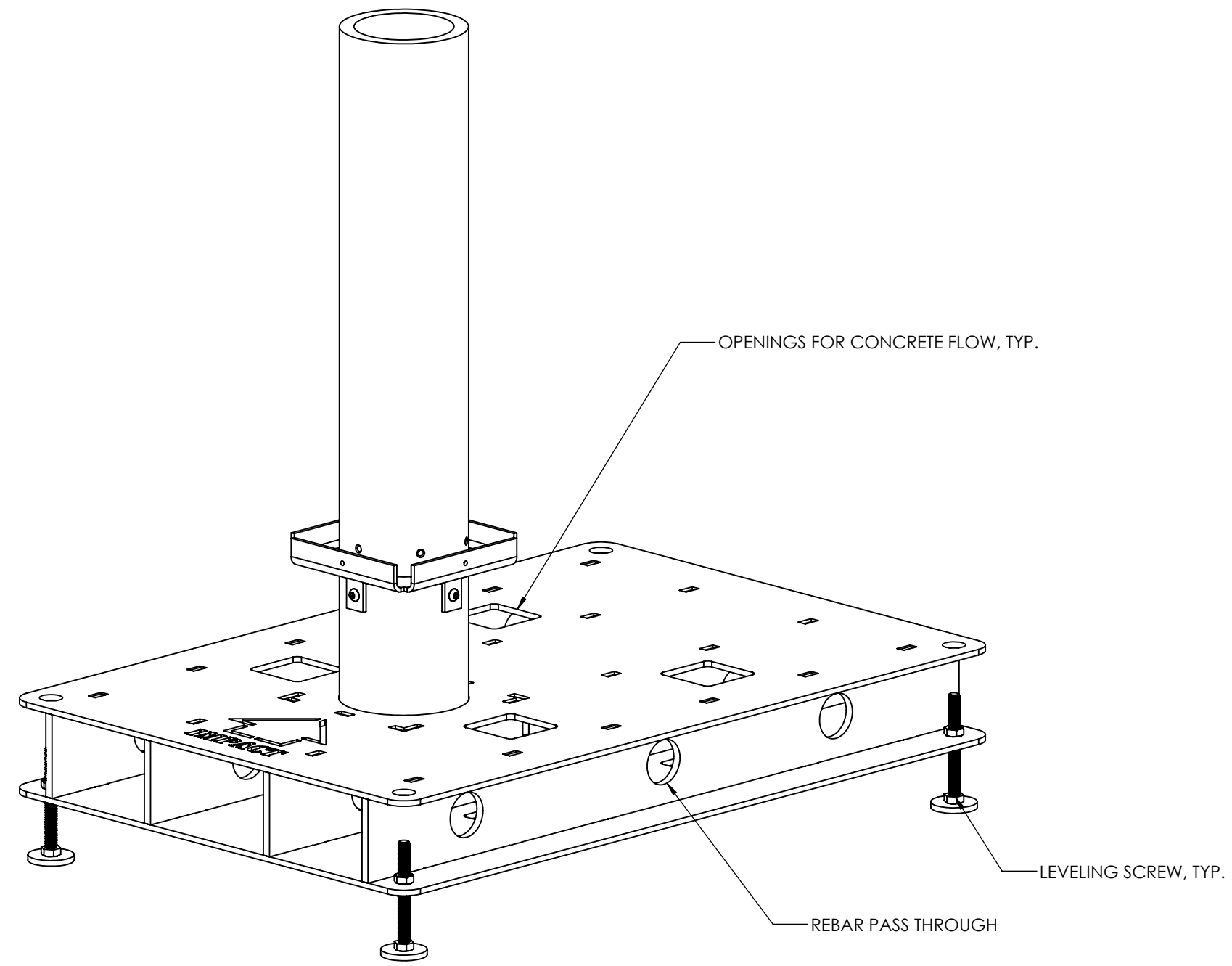
REBAR CHART	
BAR SIZE	DIAMETER
#5	Ø 0.625

<p>UNLESS OTHERWISE SPECIFIED: 1. PRIMARY DIM. ARE IN INCHES & SECONDARY [DIM] IN MM 2. TOLERANCES FRACTIONAL: ±1/32; ANGULAR/BEND: ±1° TWO PLACE DECIMAL ±.030 THREE PLACE DECIMAL ±.020 3. REMOVE ALL BURRS AND SHARP EDGES</p>		<p>FORMS+SURFACES 30 Pine Street, Pittsburgh, PA 15223 Tel (412) 781-9003 Fax (412) 781-7840</p>	
<p>THIRD ANGLE PROJECTION</p>	<p>NAME</p>	<p>DATE</p>	<p>DESCRIPTION: FORMS+SURFACES SC30-P1 SHALLOW SECURITY CORE, KNIGHT INDIVIDUAL FOUNDATION, WITH PAVER</p>
<p>MATERIAL: N/A</p>	<p>DWN</p>	<p>YAF</p>	
<p>FINISH: N/A</p>	<p>CHK</p>	<p>07/06/2023</p>	
<p>WEIGHT: N/A</p>	<p>DO NOT SCALE DRAWING</p>		<p>SIZE DWG. NO. REV SHEET B SC30-SH-IND-PV-LBKNI-INSTALL 1 2 OF 3</p>
<p>SCALE: NOT TO SCALE</p>	<p>PROPRIETARY AND CONFIDENTIAL THE INFORMATION CONTAINED IN THIS DRAWING IS THE SOLE PROPERTY OF FORMS + SURFACES. ANY REPRODUCTION IN PART OR AS A WHOLE WITHOUT WRITTEN PERMISSION IS PROHIBITED.</p>		

8 7 6 5 4 3 2 1

D
C
B
A

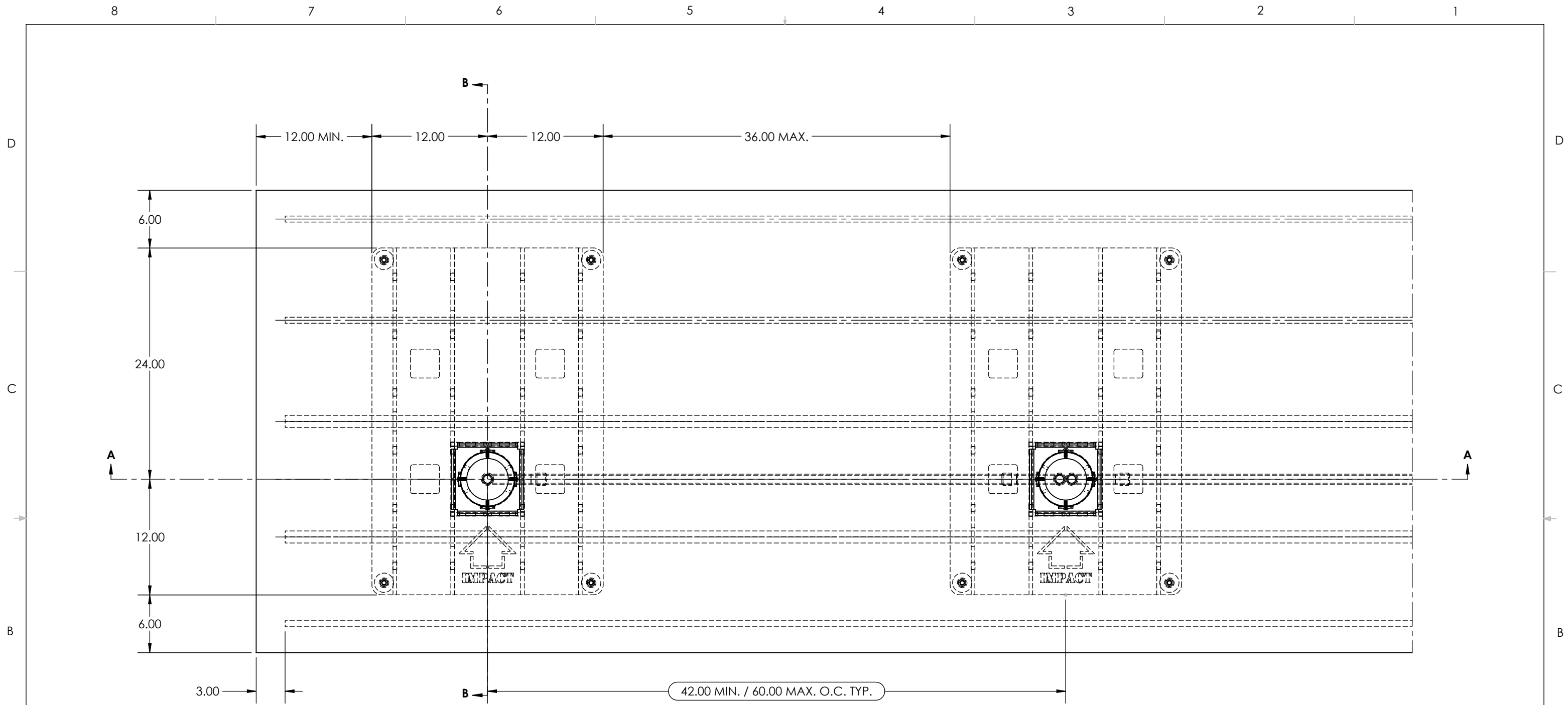
D
C
B
A



**ISOMETRIC VIEW
SECURITY CORE WELDMENT**

UNLESS OTHERWISE SPECIFIED: 1. PRIMARY DIM. ARE IN INCHES & SECONDARY [DIM] IN MM 2. TOLERANCES FRACTIONAL: ±1/32; ANGULAR/BEND: ±1° TWO PLACE DECIMAL ±.030 THREE PLACE DECIMAL ±.020 3. REMOVE ALL BURRS AND SHARP EDGES				30 Pine Street, Pittsburgh, PA 15223 Tel (412) 781-9003 Fax (412) 781-7840	
THIRD ANGLE PROJECTION		NAME DWN YAF	DATE 07/06/2023	DESCRIPTION: FORMS+SURFACES SC30-P1 SHALLOW SECURITY CORE, KNIGHT INDIVIDUAL FOUNDATION, WITH PAVER	
MATERIAL: N/A		DO NOT SCALE DRAWING		SIZE B	
FINISH: N/A		PROPRIETARY AND CONFIDENTIAL <small>THE INFORMATION CONTAINED IN THIS DRAWING IS THE SOLE PROPERTY OF FORMS + SURFACES. ANY REPRODUCTION IN PART OR AS A WHOLE WITHOUT WRITTEN PERMISSION IS PROHIBITED.</small>		DWG. NO. SC30-SH-IND-PV-LBKN-INSTALL	REV 1
WEIGHT: N/A		SCALE: NOT TO SCALE		SHEET 3 OF 3	

8 7 6 5 4 3 2 1



TOP VIEW

0	INITIAL RELEASE	-----	-----
REV.	DESCRIPTION	REVISED BY	DATE

UNLESS OTHERWISE SPECIFIED:
 1. PRIMARY DIM. ARE IN INCHES & SECONDARY [DIM] IN MM
 2. TOLERANCES
 FRACTIONAL: ±1/32; ANGULAR/BEND: ±1°
 TWO PLACE DECIMAL ±.030
 THREE PLACE DECIMAL ±.020
 3. REMOVE ALL BURRS AND SHARP EDGES

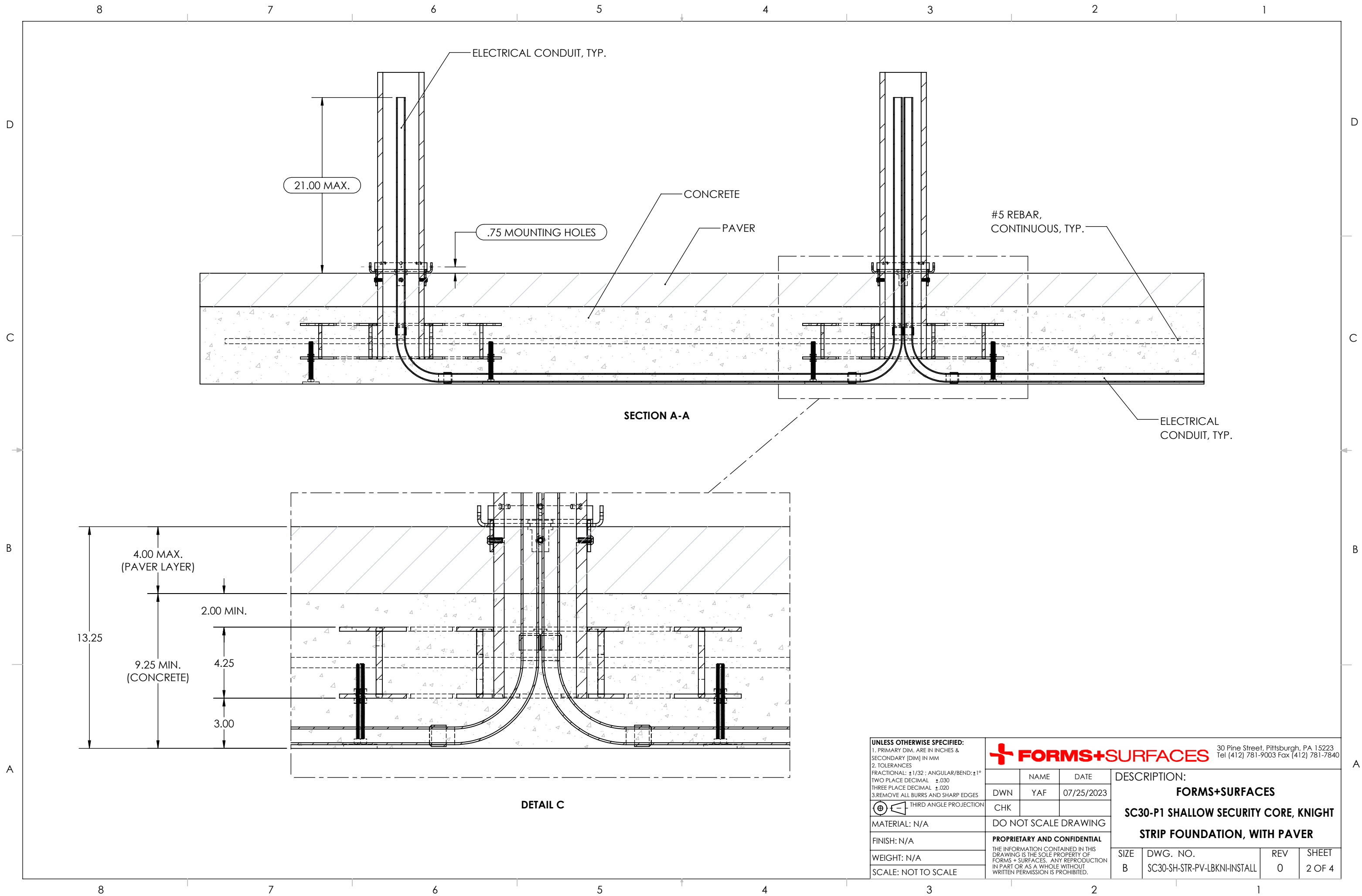
THIRD ANGLE PROJECTION

MATERIAL: N/A
 FINISH: N/A
 WEIGHT: N/A
 SCALE: NOT TO SCALE

FORMS+SURFACES 30 Pine Street, Pittsburgh, PA 15223
 Tel (412) 781-9003 Fax (412) 781-7840

NAME	DATE	DESCRIPTION:		
DWN	YAF	07/25/2023		
CHK		FORMS+SURFACES		
		SC30-P1 SHALLOW SECURITY CORE, KNIGHT		
		STRIP FOUNDATION, WITH PAVER		
SIZE	DWG. NO.	REV	SHEET	
B	SC30-SH-STR-PV-LBKN-INSTALL	0	1 OF 4	

PROPRIETARY AND CONFIDENTIAL
 THE INFORMATION CONTAINED IN THIS DRAWING IS THE SOLE PROPERTY OF FORMS + SURFACES. ANY REPRODUCTION IN PART OR AS A WHOLE WITHOUT WRITTEN PERMISSION IS PROHIBITED.



UNLESS OTHERWISE SPECIFIED:
 1. PRIMARY DIM. ARE IN INCHES & SECONDARY [DIM] IN MM
 2. TOLERANCES
 FRACTIONAL: ±1/32; ANGULAR/BEND: ±1°
 TWO PLACE DECIMAL ±.030
 THREE PLACE DECIMAL ±.020
 3. REMOVE ALL BURRS AND SHARP EDGES

THIRD ANGLE PROJECTION

MATERIAL: N/A

FINISH: N/A

WEIGHT: N/A

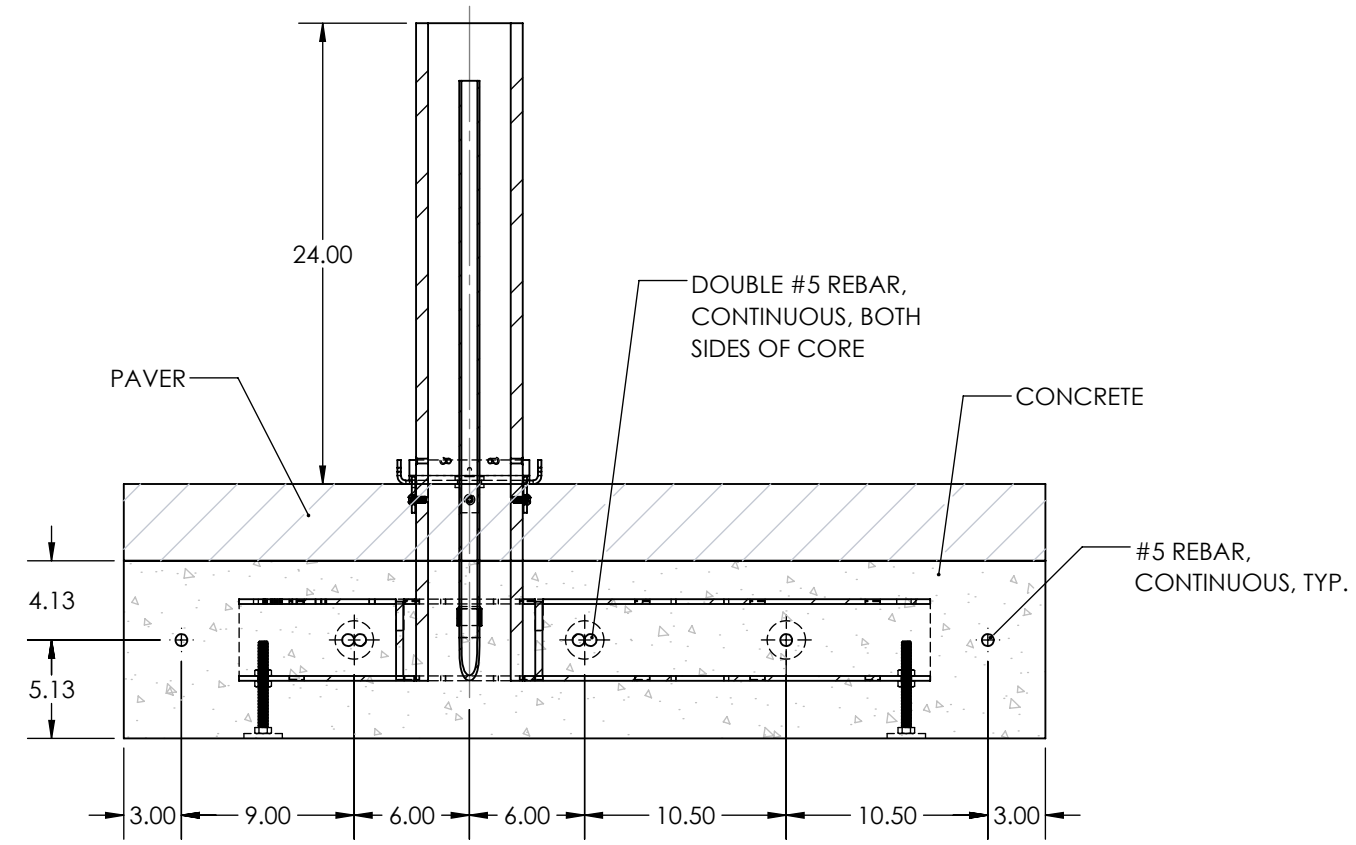
SCALE: NOT TO SCALE



30 Pine Street, Pittsburgh, PA 15223
 Tel (412) 781-9003 Fax (412) 781-7840

NAME	DATE
DWN	07/25/2023
CHK	

DESCRIPTION:			
FORMS+SURFACES			
SC30-P1 SHALLOW SECURITY CORE, KNIGHT			
STRIP FOUNDATION, WITH PAVER			
SIZE	DWG. NO.	REV	SHEET
B	SC30-SH-STR-PV-LBKNI-INSTALL	0	2 OF 4



SECTION B-B

NOTES:

1. FOOTINGS HAVE BEEN DESIGNED TO BEAR ON UNDISTURBED SOIL OR PROPERLY COMPACTED ENGINEERED FILL ASSUMING A NET BEARING CAPACITY OF 2000 PSF.
2. REINFORCED CONCRETE WORK SHALL BE DONE IN ACCORDANCE WITH THE "BUILDING CODE REQUIREMENTS FOR REINFORCED CONCRETE" (ACI 318) AND THE SPECIFICATIONS FOR STRUCTURAL CONCRETE (ACI 301) OF THE AMERICAN CONCRETE INSTITUTE (EDITIONS AS REQUIRED BY GOVERNING CODE).
3. CAST-IN-PLACE CONCRETE SHALL BE NORMAL WEIGHT CONCRETE WITH A MINIMUM 28-DAY COMPRESSIVE STRENGTH (F'c) OF 5000 PSI UNO.
4. PROVIDE 6% (+/-1.5%) AIR ENTRAINMENT IN CONCRETE EXPOSED TO FREEZE/THAW.
5. DEFORMED BAR REINFORCEMENT SHALL BE ASTM A615, GRADE 60; SEE CHART FOR SIZING.
6. REINFORCEMENT SHALL BE SECURELY HELD IN PLACE WHILE PLACING CONCRETE. IF REQUIRED, ADDITIONAL BARS, STIRRUPS, OR CHAIRS SHALL BE PROVIDED TO FURNISH SUPPORT FOR SPECIFIED BARS.

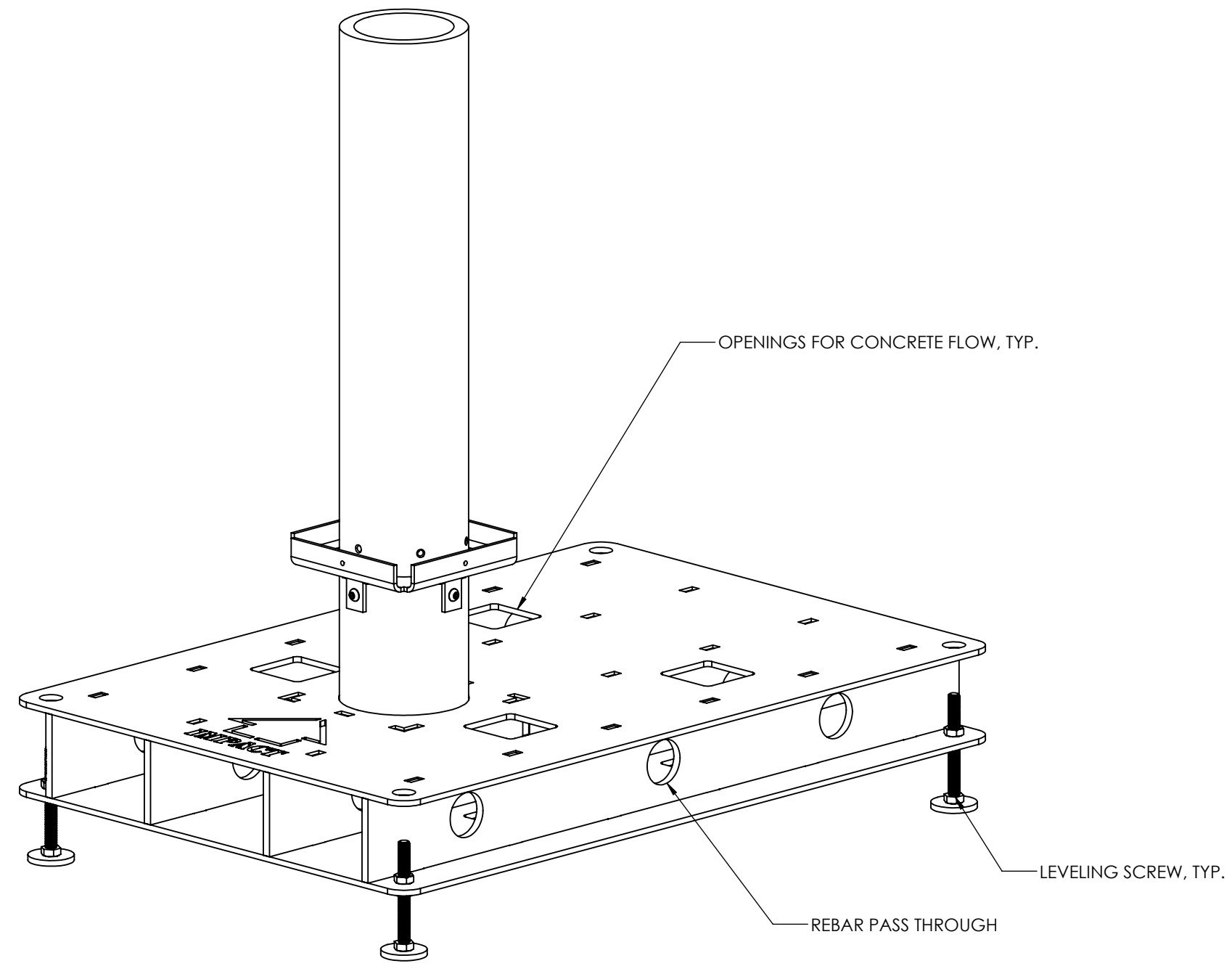
REBAR CHART	
BAR SIZE	DIAMETER
#5	Ø 0.625

<p>UNLESS OTHERWISE SPECIFIED: 1. PRIMARY DIM. ARE IN INCHES & SECONDARY [DIM] IN MM 2. TOLERANCES FRACTIONAL: ±1/32; ANGULAR/BEND: ±1° TWO PLACE DECIMAL ±.030 THREE PLACE DECIMAL ±.020 3. REMOVE ALL BURRS AND SHARP EDGES</p>		<p>FORMS+SURFACES 30 Pine Street, Pittsburgh, PA 15223 Tel (412) 781-9003 Fax (412) 781-7840</p>	
<p>THIRD ANGLE PROJECTION</p>		NAME DWN YAF	DATE 07/25/2023
MATERIAL: N/A FINISH: N/A WEIGHT: N/A SCALE: NOT TO SCALE		DESCRIPTION: FORMS+SURFACES SC30-P1 SHALLOW SECURITY CORE, KNIGHT STRIP FOUNDATION, WITH PAVER	
PROPRIETARY AND CONFIDENTIAL THE INFORMATION CONTAINED IN THIS DRAWING IS THE SOLE PROPERTY OF FORMS + SURFACES. ANY REPRODUCTION IN PART OR AS A WHOLE WITHOUT WRITTEN PERMISSION IS PROHIBITED.		SIZE B	DWG. NO. SC30-SH-STR-PV-LBKNI-INSTALL
		REV 0	SHEET 3 OF 4

8 7 6 5 4 3 2 1

D
C
B
A

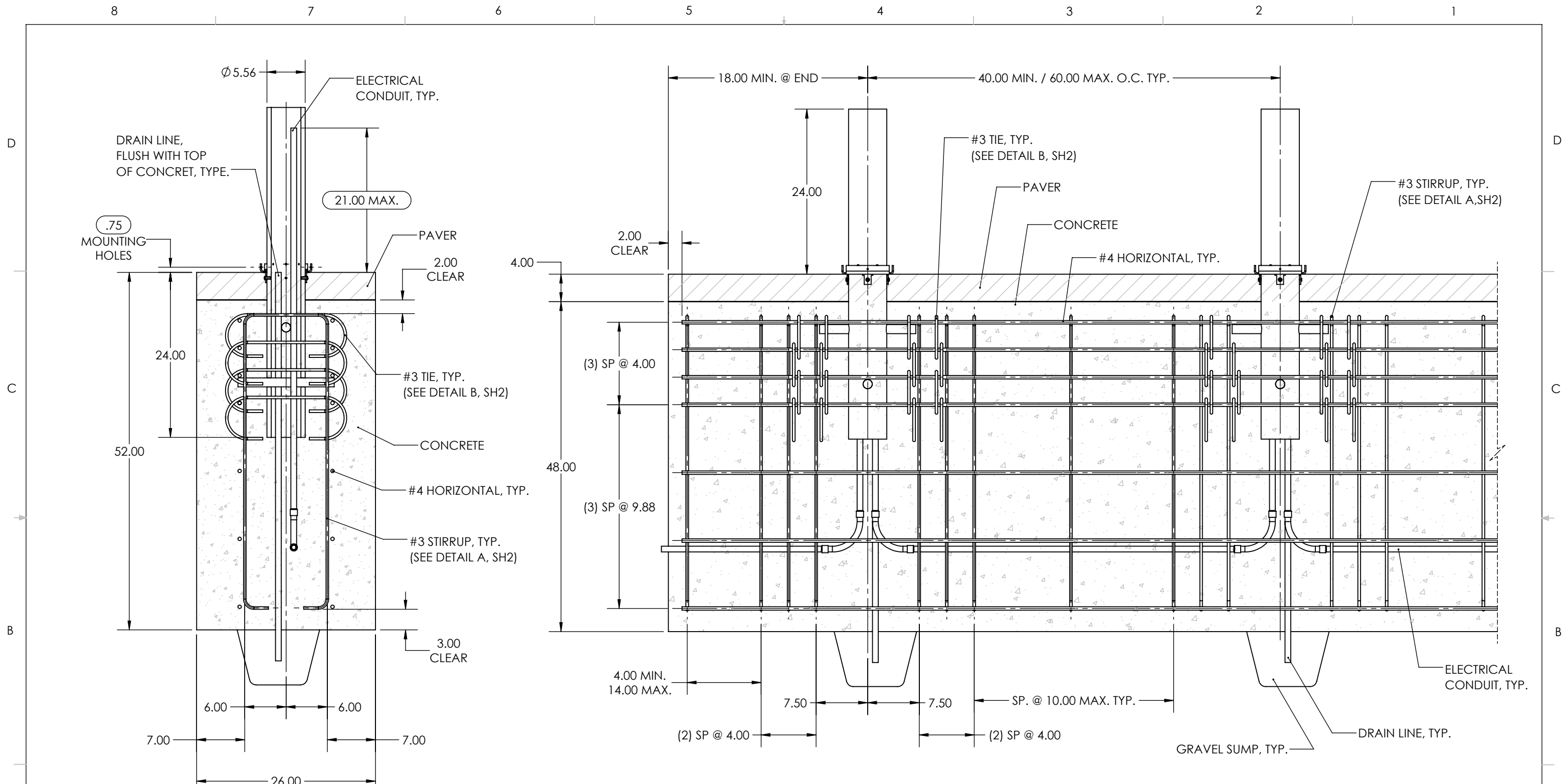
D
C
B
A



**ISOMETRIC VIEW
SECURITY CORE WELDMENT**

UNLESS OTHERWISE SPECIFIED: 1. PRIMARY DIM. ARE IN INCHES & SECONDARY [DIM] IN MM 2. TOLERANCES FRACTIONAL: ±1/32; ANGULAR/BEND: ±1° TWO PLACE DECIMAL ±.030 THREE PLACE DECIMAL ±.020 3. REMOVE ALL BURRS AND SHARP EDGES				30 Pine Street, Pittsburgh, PA 15223 Tel (412) 781-9003 Fax (412) 781-7840	
THIRD ANGLE PROJECTION		NAME DWN YAF	DATE 07/25/2023	DESCRIPTION: FORMS+SURFACES SC30-P1 SHALLOW SECURITY CORE, KNIGHT STRIP FOUNDATION, WITH PAVER	
MATERIAL: N/A		DO NOT SCALE DRAWING		SIZE B	
FINISH: N/A		PROPRIETARY AND CONFIDENTIAL THE INFORMATION CONTAINED IN THIS DRAWING IS THE SOLE PROPERTY OF FORMS + SURFACES. ANY REPRODUCTION IN PART OR AS A WHOLE WITHOUT WRITTEN PERMISSION IS PROHIBITED.		DWG. NO. SC30-SH-STR-PV-LBKN-INSTALL	REV 0
WEIGHT: N/A		SCALE: NOT TO SCALE		SHEET 4 OF 4	

8 7 6 5 4 3 2 1



SIDE VIEW (PARTIAL SECTION)

END VIEW (PARTIAL SECTION)

UNLESS OTHERWISE SPECIFIED:

1. PRIMARY DIM. ARE IN INCHES & SECONDARY [DIM] IN MM
2. TOLERANCES
 FRACTIONAL: ±1/32; ANGULAR/BEND: ±1°
 TWO PLACE DECIMAL ±.030
 THREE PLACE DECIMAL ±.020
 3. REMOVE ALL BURRS AND SHARP EDGES

THIRD ANGLE PROJECTION

MATERIAL: N/A

FINISH: N/A

WEIGHT: N/A

SCALE: NOT TO SCALE

FORMS+SURFACES 30 Pine Street, Pittsburgh, PA 15223
 Tel (412) 781-9003 Fax (412) 385-4715

NAME	DATE	DESCRIPTION:
DWN	YAF	06/29/2023
CHK		

DO NOT SCALE DRAWING

PROPRIETARY AND CONFIDENTIAL

THE INFORMATION CONTAINED IN THIS DRAWING IS THE SOLE PROPERTY OF FORMS + SURFACES. ANY REPRODUCTION IN PART OR AS A WHOLE WITHOUT WRITTEN PERMISSION IS PROHIBITED.

SIZE	DWG. NO.	REV	SHEET
B	SC30-DP-STR-PV-LBKN-INSTALL	0	1 OF 2

FORMS+SURFACES
SC30-P1 SECURITY CORE, KNIGHT STRIP FOUNDATION, WITH PAVER

REV.	DESCRIPTION	REVISED BY	DATE
0	INITIAL RELEASE	-----	-----

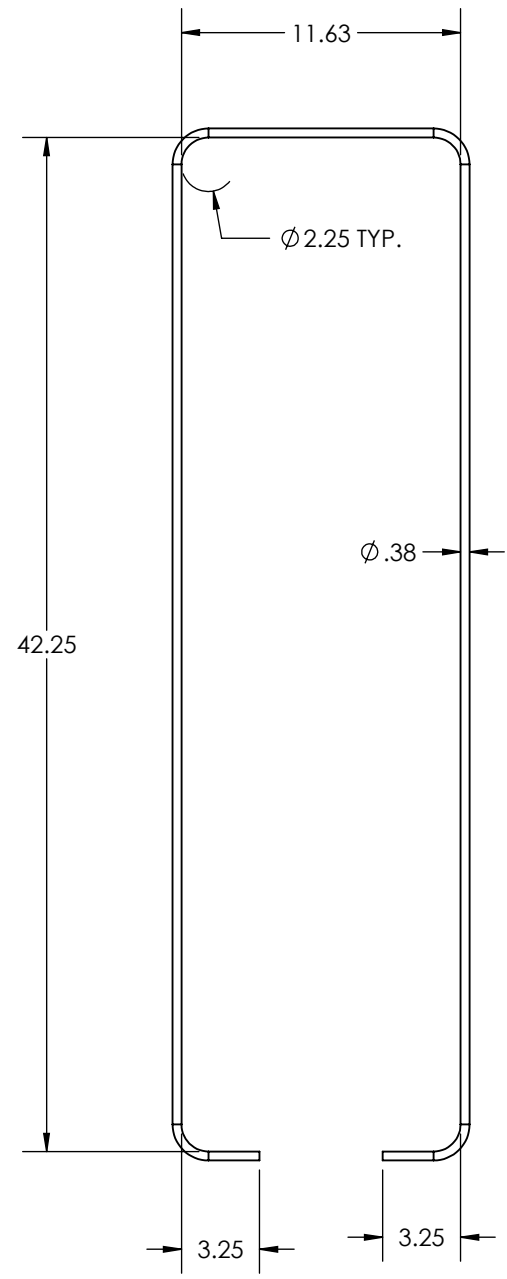
A

A

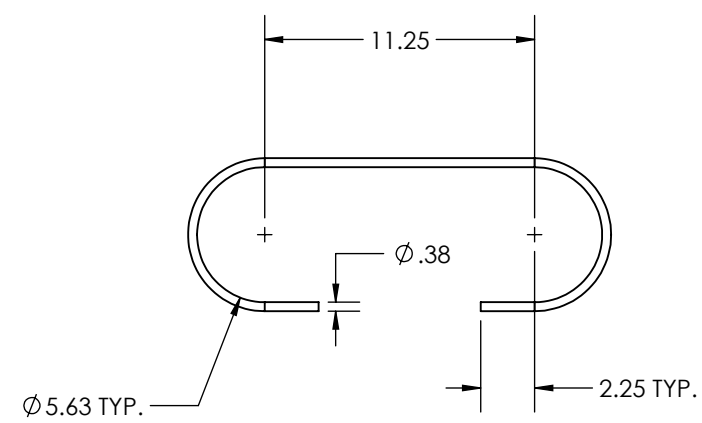
8 7 6 5 4 3 2 1

8 7 6 5 4 3 2 1

D
C
B
A



**DETAIL A
#3 STIRRUP, TYP.**



**DETAIL B
#3 TIE, TYP.**

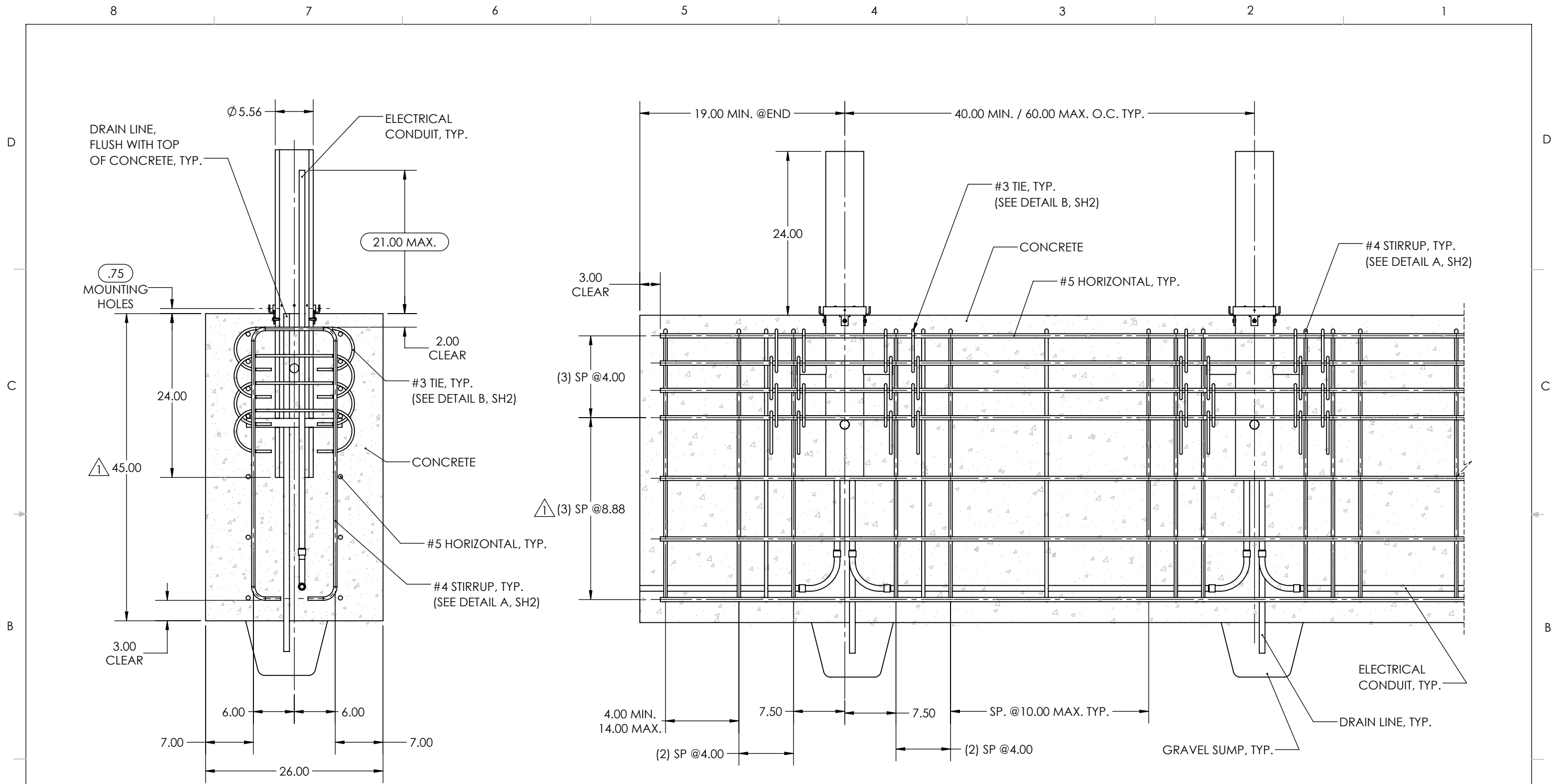
REBAR CHART	
BAR SIZE	DIAMETER
#3	Ø 0.375
#4	Ø 0.500

NOTES:

1. FOOTINGS HAVE BEEN DESIGNED TO BEAR ON UNDISTURBED SOIL OR PROPERLY COMPACTED ENGINEERED FILL ASSUMING A NET BEARING CAPACITY OF 2000 PSF.
2. REINFORCED CONCRETE WORK SHALL BE DONE IN ACCORDANCE WITH THE "BUILDING CODE REQUIREMENTS FOR REINFORCED CONCRETE" (ACI 318) AND THE SPECIFICATIONS FOR STRUCTURAL CONCRETE (ACI 301) OF THE AMERICAN CONCRETE INSTITUTE (EDITIONS AS REQUIRED BY GOVERNING CODE).
3. CAST-IN-PLACE CONCRETE SHALL BE NORMAL WEIGHT CONCRETE WITH A MINIMUM 28-DAY COMPRESSIVE STRENGTH (FC) OF 5000 PSI UNO.
4. PROVIDE 6% (+/-1.5%) AIR ENTRAINMENT IN CONCRETE EXPOSED TO FREEZE/THAW.
5. DEFORMED BAR REINFORCEMENT SHALL BE ASTM A615, GRADE 60; SEE CHART FOR SIZING.
6. REINFORCEMENT SHALL BE SECURELY HELD IN PLACE WHILE PLACING CONCRETE. IF REQUIRED, ADDITIONAL BARS, STIRRUPS, OR CHAIRS SHALL BE PROVIDED TO FURNISH SUPPORT FOR SPECIFIED BARS.

UNLESS OTHERWISE SPECIFIED: 1. PRIMARY DIM. ARE IN INCHES & SECONDARY [DIM] IN MM 2. TOLERANCES FRACTIONAL: ±1/32; ANGULAR/BEND: ±1° TWO PLACE DECIMAL ±.030 THREE PLACE DECIMAL ±.020 3. REMOVE ALL BURRS AND SHARP EDGES		30 Pine Street, Pittsburgh, PA 15223 Tel (412) 781-9003 Fax (412) 781-7840	
MATERIAL: N/A FINISH: N/A WEIGHT: N/A SCALE: NOT TO SCALE		NAME: DWN DATE: 06/29/2023 CHECKED: CHK	DESCRIPTION: FORMS+SURFACES SC30-P1 SECURITY CORE, KNIGHT STRIP FOUNDATION, WITH PAVER
PROPRIETARY AND CONFIDENTIAL THE INFORMATION CONTAINED IN THIS DRAWING IS THE SOLE PROPERTY OF FORMS + SURFACES. ANY REPRODUCTION IN PART OR AS A WHOLE WITHOUT WRITTEN PERMISSION IS PROHIBITED.		DO NOT SCALE DRAWING	SIZE: B DWG. NO.: SC30-DP-STR-PV-LBKN-INSTALL REV: 0 SHEET: 2 OF 2

8 7 6 5 4 3 2 1



END VIEW (PARTIAL SECTION)

SIDE VIEW (PARTIAL SECTION)

UNLESS OTHERWISE SPECIFIED:

1. PRIMARY DIM. ARE IN INCHES & SECONDARY [DIM] IN MM
2. TOLERANCES
 FRACTIONAL: ±1/32; ANGULAR/BEND: ±1°
 TWO PLACE DECIMAL ±.030
 THREE PLACE DECIMAL ±.020
 3. REMOVE ALL BURRS AND SHARP EDGES

MATERIAL: N/A

FINISH: N/A

WEIGHT: N/A

SCALE: NOT TO SCALE



30 Pine Street, Pittsburgh, PA 15223
Tel (412) 781-9003 Fax (412) 781-7840

NAME	DATE
DWN	RTS
CHK	

DO NOT SCALE DRAWING

PROPRIETARY AND CONFIDENTIAL

THE INFORMATION CONTAINED IN THIS DRAWING IS THE SOLE PROPERTY OF FORMS + SURFACES. ANY REPRODUCTION IN PART OR AS A WHOLE WITHOUT WRITTEN PERMISSION IS PROHIBITED.

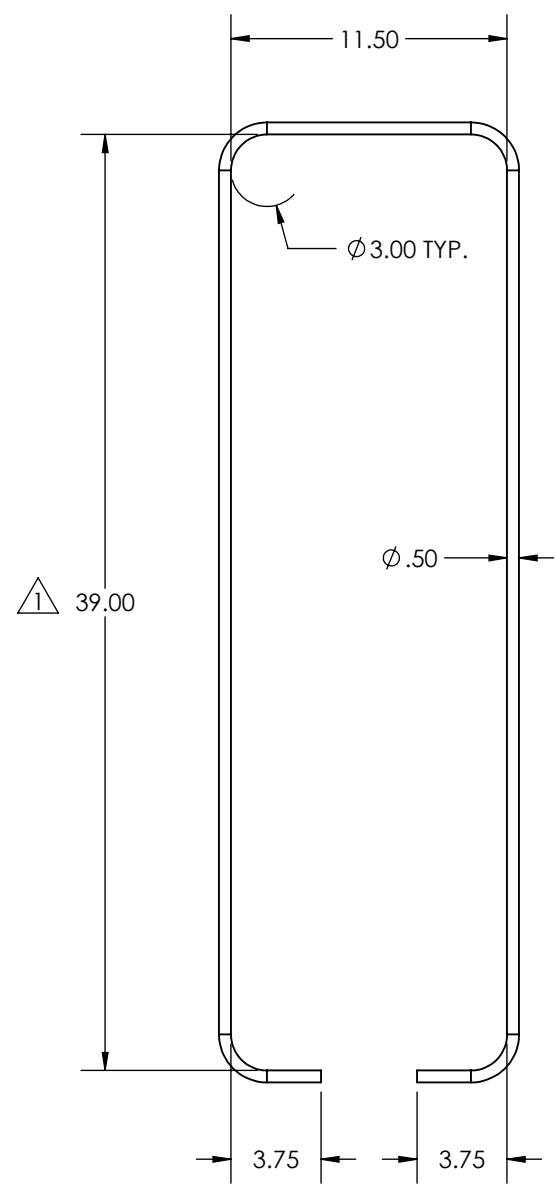
DESCRIPTION:			
FORMS+SURFACES			
SC30-P1 SECURITY CORE, KNIGHT			
STRIP FOUNDATION, NO PAVER			
SIZE	DWG. NO.	REV	SHEET
B	SC30-DP-STR-NP-LBKNH-INSTALL	1	1 OF 2

REV.	DESCRIPTION	REVISED BY	DATE
1	CONCRETE HEIGHT WAS 48.00", REBAR SPACING WAS 9.88"	YAF	6/29/2023

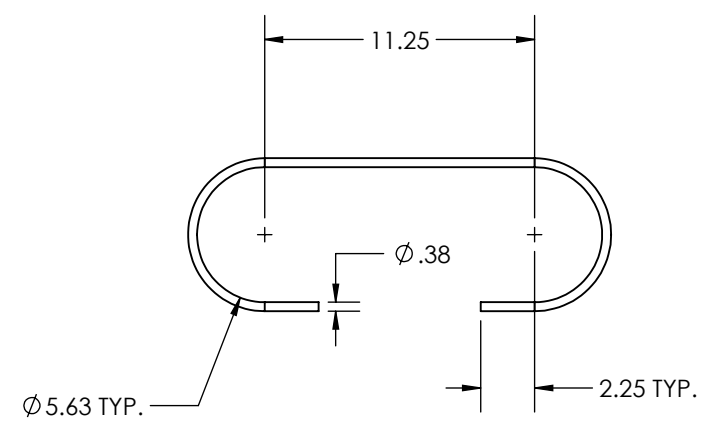
8 7 6 5 4 3 2 1

D
C
B
A

D
C
B
A



**DETAIL A
#4 STIRRUP, TYP.**



**DETAIL B
#3 TIE, TYP.**

REBAR CHART	
BAR SIZE	DIAMETER
#3	Ø 0.375
#4	Ø 0.500
#5	Ø 0.625

NOTES:

1. FOOTINGS HAVE BEEN DESIGNED TO BEAR ON UNDISTURBED SOIL OR PROPERLY COMPACTED ENGINEERED FILL ASSUMING A NET BEARING CAPACITY OF 2000 PSF.
2. REINFORCED CONCRETE WORK SHALL BE DONE IN ACCORDANCE WITH THE "BUILDING CODE REQUIREMENTS FOR REINFORCED CONCRETE" (ACI 318) AND THE SPECIFICATIONS FOR STRUCTURAL CONCRETE (ACI 301) OF THE AMERICAN CONCRETE INSTITUTE (EDITIONS AS REQUIRED BY GOVERNING CODE).
3. CAST-IN-PLACE CONCRETE SHALL BE NORMAL WEIGHT CONCRETE WITH A MINIMUM 28-DAY COMPRESSIVE STRENGTH (FC) OF 5000 PSI UNO.
4. PROVIDE 6% (+/-1.5%) AIR ENTRAINMENT IN CONCRETE EXPOSED TO FREEZE/THAW.
5. DEFORMED BAR REINFORCEMENT SHALL BE ASTM A615, GRADE 60; SEE CHART FOR SIZING.
6. REINFORCEMENT SHALL BE SECURELY HELD IN PLACE WHILE PLACING CONCRETE. IF REQUIRED, ADDITIONAL BARS, STIRRUPS, OR CHAIRS SHALL BE PROVIDED TO FURNISH SUPPORT FOR SPECIFIED BARS.

<p>UNLESS OTHERWISE SPECIFIED: 1. PRIMARY DIM. ARE IN INCHES & SECONDARY [DIM] IN MM 2. TOLERANCES FRACTIONAL: ±1/32; ANGULAR/BEND: ±1° TWO PLACE DECIMAL ±.030 THREE PLACE DECIMAL ±.020 3. REMOVE ALL BURRS AND SHARP EDGES</p>		<p>FORMS+SURFACES 30 Pine Street, Pittsburgh, PA 15223 Tel (412) 781-9003 Fax (412) 781-7840</p>	
<p>THIRD ANGLE PROJECTION</p>		<p>NAME</p> <p>DWN RTS</p>	<p>DATE</p> <p>10/15/21</p>
<p>MATERIAL: N/A</p>		<p>DESCRIPTION: FORMS+SURFACES SC30-P1 SECURITY CORE, KNIGHT STRIP FOUNDATION, NO PAVER</p>	
<p>FINISH: N/A</p>		<p>DO NOT SCALE DRAWING</p>	
<p>WEIGHT: N/A</p>		<p>PROPRIETARY AND CONFIDENTIAL THE INFORMATION CONTAINED IN THIS DRAWING IS THE SOLE PROPERTY OF FORMS + SURFACES. ANY REPRODUCTION IN PART OR AS A WHOLE WITHOUT WRITTEN PERMISSION IS PROHIBITED.</p>	
<p>SCALE: NOT TO SCALE</p>		<p>SIZE</p> <p>B</p>	<p>DWG. NO.</p> <p>SC30-DP-STR-NP-LBKN-INSTALL</p>
		<p>REV</p> <p>1</p>	<p>SHEET</p> <p>2 OF 2</p>

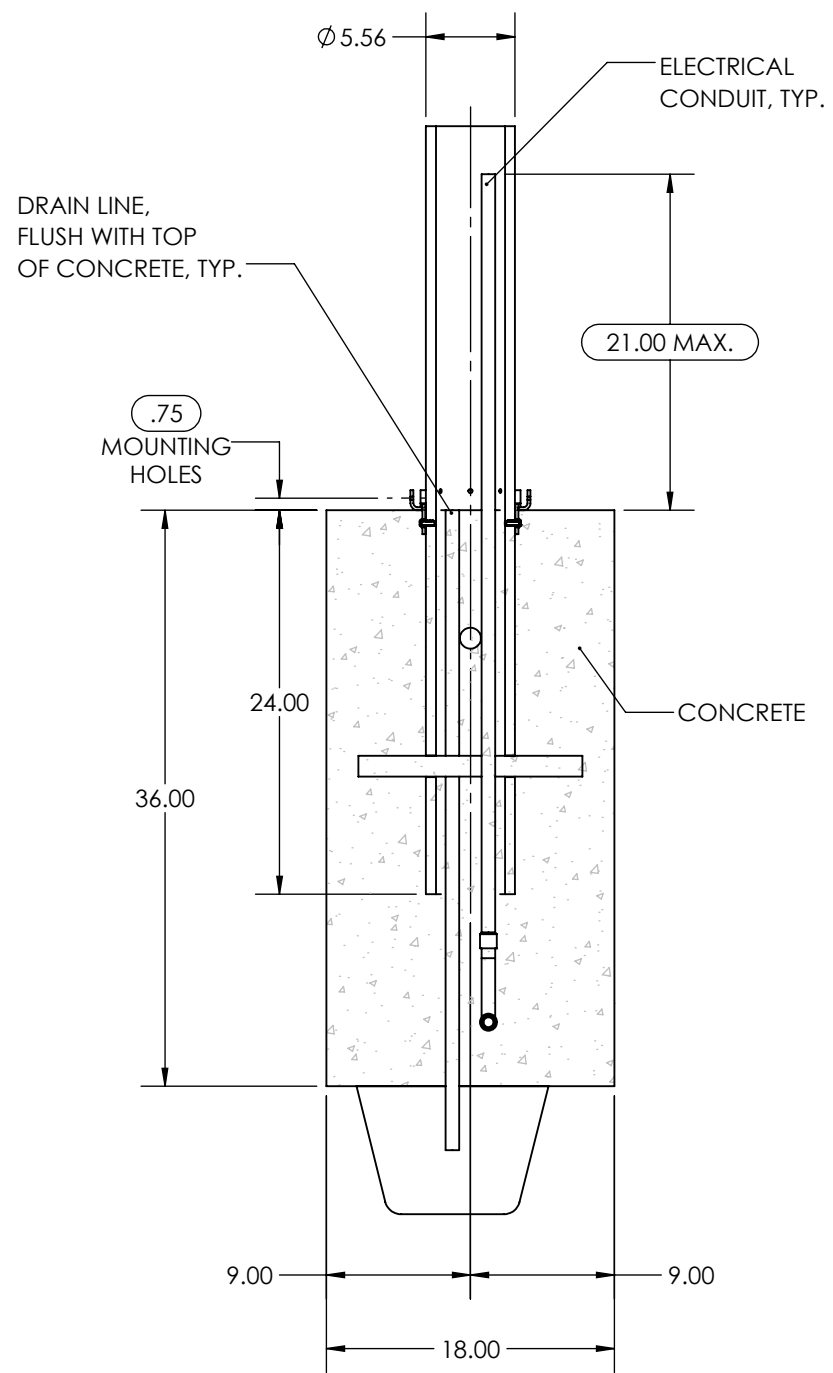
8 7 6 5 4 3 2 1

D

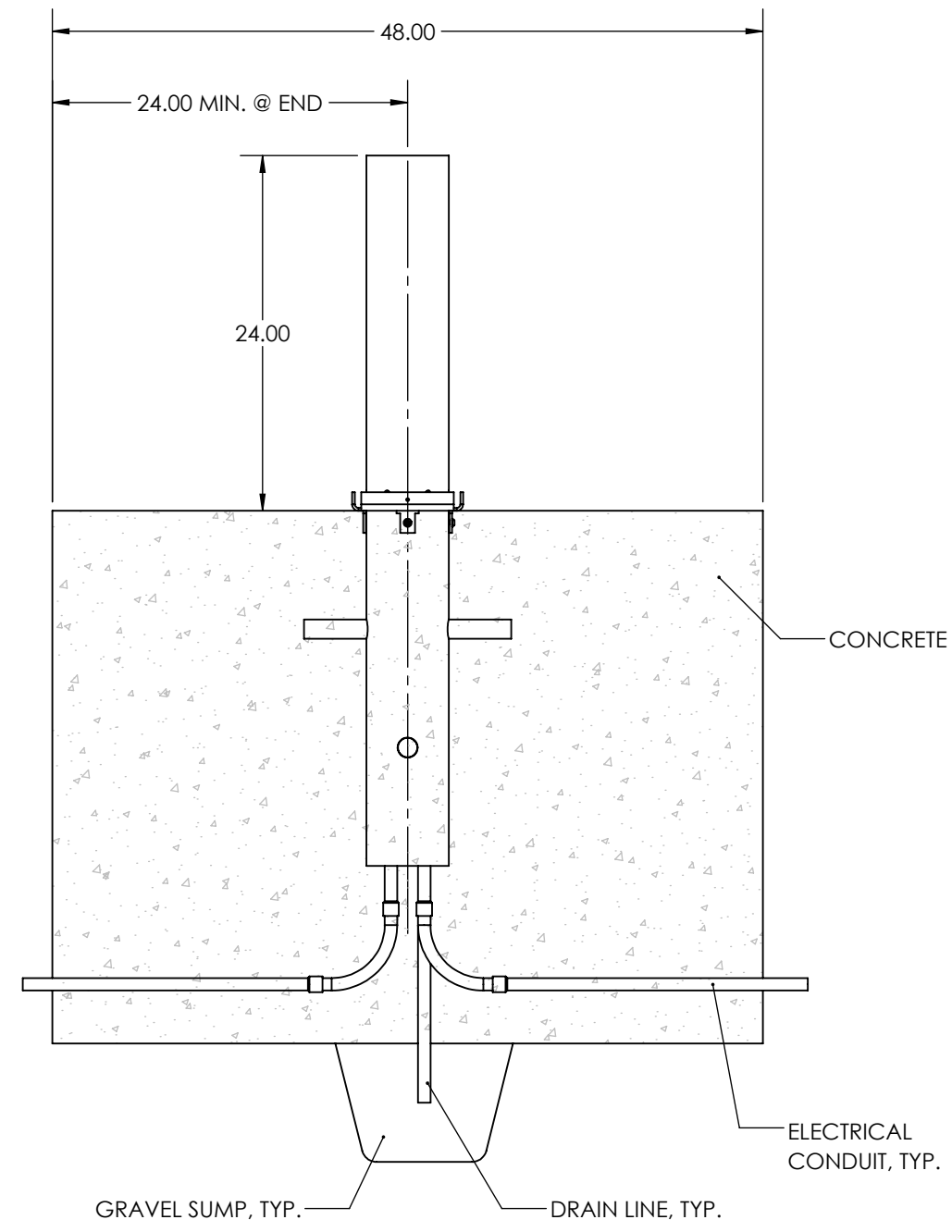
C

B

A



END VIEW (PARTIAL SECTION)



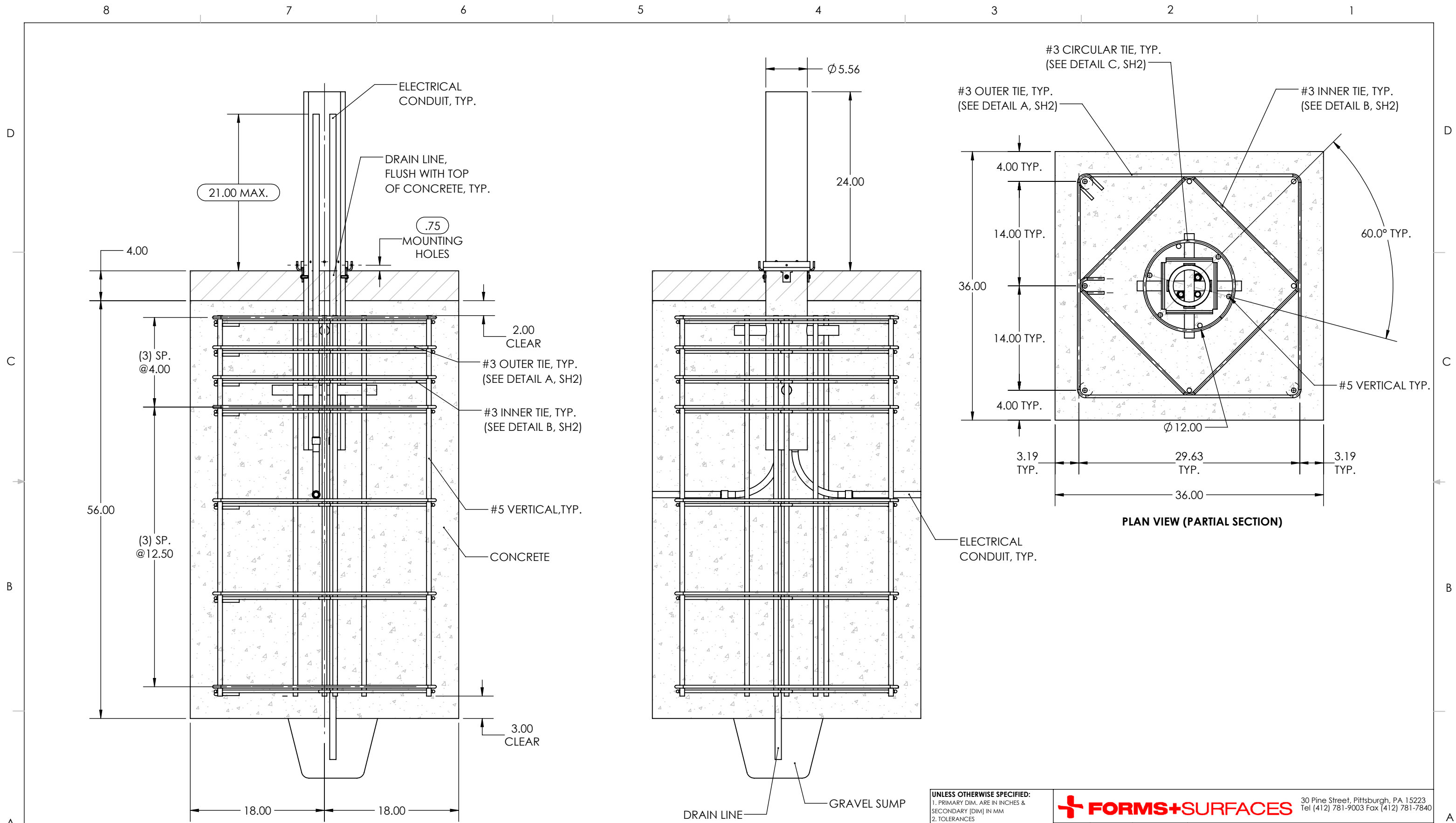
SIDE VIEW (PARTIAL SECTION)

NOTES:

- FOOTINGS HAVE BEEN DESIGNED TO BEAR ON UNDISTURBED SOIL OR PROPERLY COMPACTED ENGINEERED FILL ASSUMING A NET BEARING CAPACITY OF 3000 PSF.
- CONCRETE WORK SHALL BE DONE IN ACCORDANCE WITH THE "BUILDING CODE REQUIREMENTS FOR REINFORCED CONCRETE" (ACI 318) AND THE SPECIFICATIONS FOR STRUCTURAL CONCRETE (ACI 301) OF THE AMERICAN CONCRETE INSTITUTE (EDITIONS AS REQUIRED BY GOVERNING CODE).
- CAST-IN-PLACE CONCRETE SHALL BE NORMAL WEIGHT CONCRETE WITH A MINIMUM 28-DAY COMPRESSIVE STRENGTH (F'C) OF 5000 PSI UNO.
- PROVIDE 6% (+/-1.5%) AIR ENTRAINMENT IN CONCRETE EXPOSED TO FREEZE/THAW.

0	INITIAL RELEASE	-----	-----
REV.	DESCRIPTION	REVISED BY	DATE

<p>UNLESS OTHERWISE SPECIFIED: 1. PRIMARY DIM. ARE IN INCHES & SECONDARY [DIM] IN MM 2. TOLERANCES FRACTIONAL: ±1/32; ANGULAR/BEND: ±1° TWO PLACE DECIMAL ±.030 THREE PLACE DECIMAL ±.020 3. REMOVE ALL BURRS AND SHARP EDGES</p>		<p>FORMS+SURFACES 30 Pine Street, Pittsburgh, PA 15223 Tel (412) 781-9003 Fax (412) 781-7840</p>	
<p>THIRD ANGLE PROJECTION</p>	<p>NAME</p> <p>DWN YAF</p>	<p>DATE</p> <p>5/23/3023</p>	<p>DESCRIPTION:</p> <p>FORMS+SURFACES S10-P1 SECURITY CORE, KNIGHT INDIVIDUAL FOUNDATION, NO PAVER</p>
<p>MATERIAL: N/A</p>	<p>DO NOT SCALE DRAWING</p>		<p>SIZE</p> <p>B</p>
<p>FINISH: N/A</p> <p>WEIGHT: N/A</p> <p>SCALE: NOT TO SCALE</p>	<p>PROPRIETARY AND CONFIDENTIAL</p> <p>THE INFORMATION CONTAINED IN THIS DRAWING IS THE SOLE PROPERTY OF FORMS + SURFACES. ANY REPRODUCTION IN PART OR AS A WHOLE WITHOUT WRITTEN PERMISSION IS PROHIBITED.</p>		<p>DWG. NO.</p> <p>S10-DP-IND-NP-LBKNI-INSTALL</p>
		<p>REV</p> <p>0</p>	<p>SHEET</p> <p>1 OF 1</p>



END VIEW (PARTIAL SECTION)

SIDE VIEW (PARTIAL SECTION)

PLAN VIEW (PARTIAL SECTION)

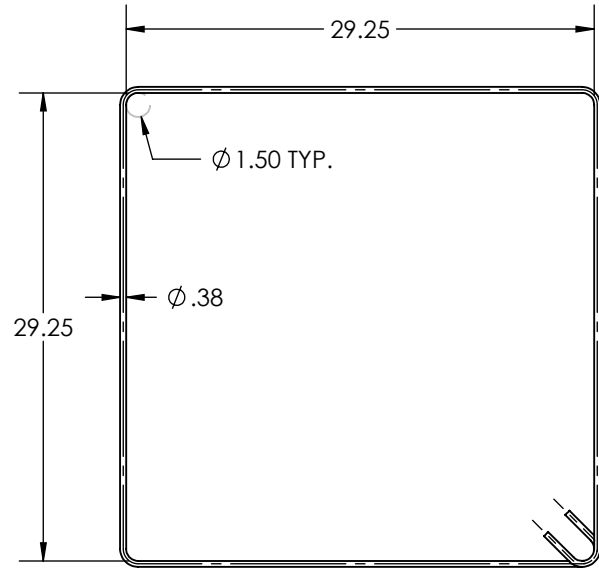
UNLESS OTHERWISE SPECIFIED:
 1. PRIMARY DIM. ARE IN INCHES & SECONDARY [DIM] IN MM
 2. TOLERANCES
 FRACTIONAL: ±1/32; ANGULAR/BEND: ±1°
 TWO PLACE DECIMAL ±.030
 THREE PLACE DECIMAL ±.020
 3. REMOVE ALL BURRS AND SHARP EDGES
 THIRD ANGLE PROJECTION
 MATERIAL: N/A
 FINISH: N/A
 WEIGHT: N/A
 SCALE: NOT TO SCALE

FORMS+SURFACES 30 Pine Street, Pittsburgh, PA 15223
 Tel (412) 781-9003 Fax (412) 781-7840

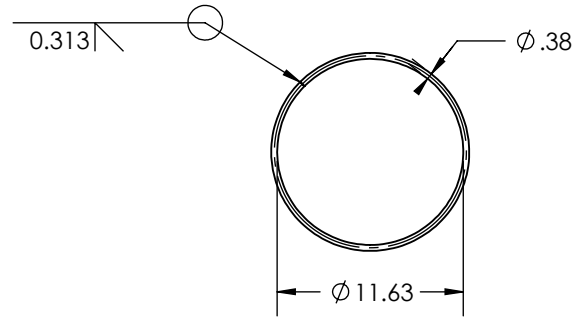
NAME	DATE
DWN YAF	06/28/2023
CHK	

DESCRIPTION: FORMS+SURFACES			
SC30-P1 SECURITY CORE, KNIGHT			
INDIVIDUAL FOUNDATION, WITH PAVER			
SIZE	DWG. NO.	REV	SHEET
B	SC30-DP-IND-PV-LBKNH-INSTALL	0	1 OF 2

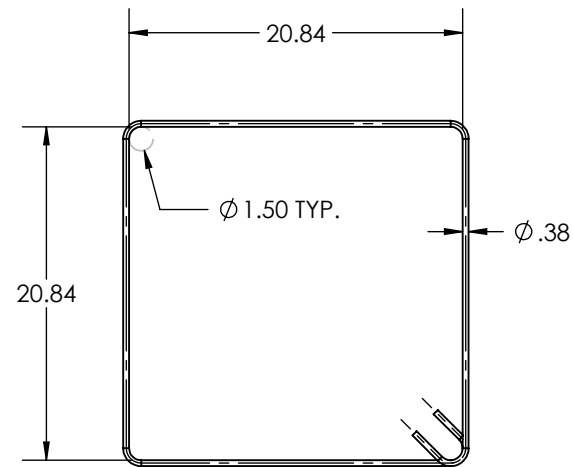
REV.	DESCRIPTION	REVISED BY	DATE
0	INITIAL RELEASE	-----	-----



DETAIL A
#3 OUTER TIE, TYP.



DETAIL C
#3 CIRCULAR TIE, TYP.



DETAIL B
#3 INNER TIE, TYP.

REBAR CHART	
BAR SIZE	DIAMETER
#3	Ø 0.375
#5	Ø 0.625

NOTES:

1. FOOTINGS HAVE BEEN DESIGNED TO BEAR ON UNDISTURBED SOIL OR PROPERLY COMPACTED ENGINEERED FILL ASSUMING A NET BEARING CAPACITY OF 2000 PSF.
2. REINFORCED CONCRETE WORK SHALL BE DONE IN ACCORDANCE WITH THE "BUILDING CODE REQUIREMENTS FOR REINFORCED CONCRETE" (ACI 318) AND THE SPECIFICATIONS FOR STRUCTURAL CONCRETE (ACI 301) OF THE AMERICAN CONCRETE INSTITUTE (EDITIONS AS REQUIRED BY GOVERNING CODE).
3. CAST-IN-PLACE CONCRETE SHALL BE NORMAL WEIGHT CONCRETE WITH A MINIMUM 28-DAY COMPRESSIVE STRENGTH (F'C) OF 5000 PSI UNO.
4. PROVIDE 6% (+/-1.5%) AIR ENTRAINMENT IN CONCRETE EXPOSED TO FREEZE/THAW.
5. DEFORMED BAR REINFORCEMENT SHALL BE ASTM A615, GRADE 60; SEE CHART FOR SIZING.
6. REINFORCEMENT SHALL BE SECURELY HELD IN PLACE WHILE PLACING CONCRETE. IF REQUIRED, ADDITIONAL BARS, STIRRUPS, OR CHAIRS SHALL BE PROVIDED TO FURNISH SUPPORT FOR SPECIFIED BARS.

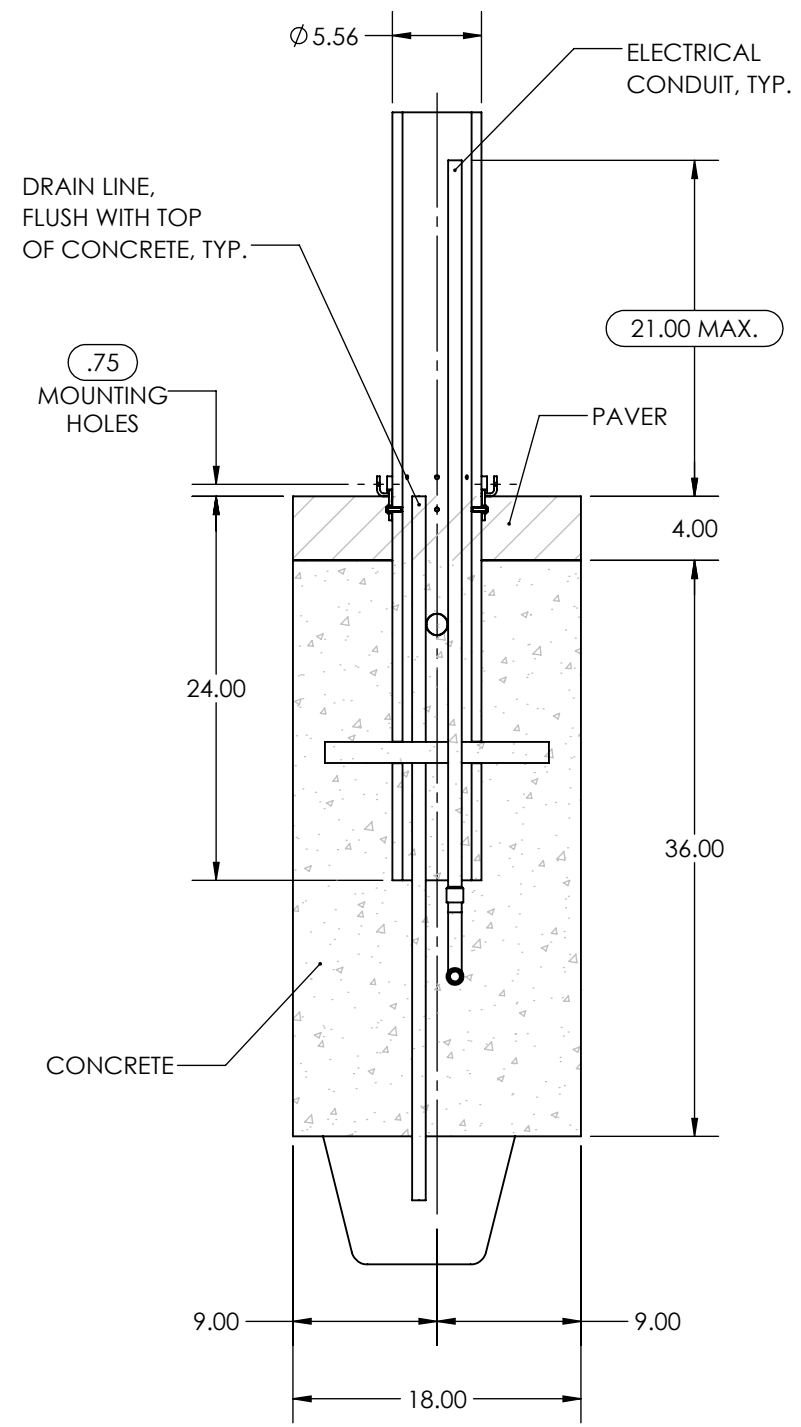
<p>UNLESS OTHERWISE SPECIFIED: 1. PRIMARY DIM. ARE IN INCHES & SECONDARY [DIM] IN MM 2. TOLERANCES FRACTIONAL: ±1/32; ANGULAR/BEND: ±1° TWO PLACE DECIMAL ±.030 THREE PLACE DECIMAL ±.020 3. REMOVE ALL BURRS AND SHARP EDGES</p> <p>THIRD ANGLE PROJECTION</p> <p>MATERIAL: N/A</p> <p>FINISH: N/A</p> <p>WEIGHT: N/A</p> <p>SCALE: NOT TO SCALE</p>			30 Pine Street, Pittsburgh, PA 15223 Tel (412) 781-9003 Fax (412) 781-7840		
	NAME	DATE	DESCRIPTION: FORMS+SURFACES SC30-P1 SECURITY CORE, KNIGHT INDIVIDUAL FOUNDATION, WITH PAVER		
	DWN	YAF 06/28/2023			
	CHK				
PROPRIETARY AND CONFIDENTIAL THE INFORMATION CONTAINED IN THIS DRAWING IS THE SOLE PROPERTY OF FORMS + SURFACES. ANY REPRODUCTION IN PART OR AS A WHOLE WITHOUT WRITTEN PERMISSION IS PROHIBITED.		SIZE	DWG. NO.	REV	SHEET
		B	SC30-DP-IND-PV-LBKN-INSTALL	0	2 OF 2

8 7 6 5 4 3 2 1

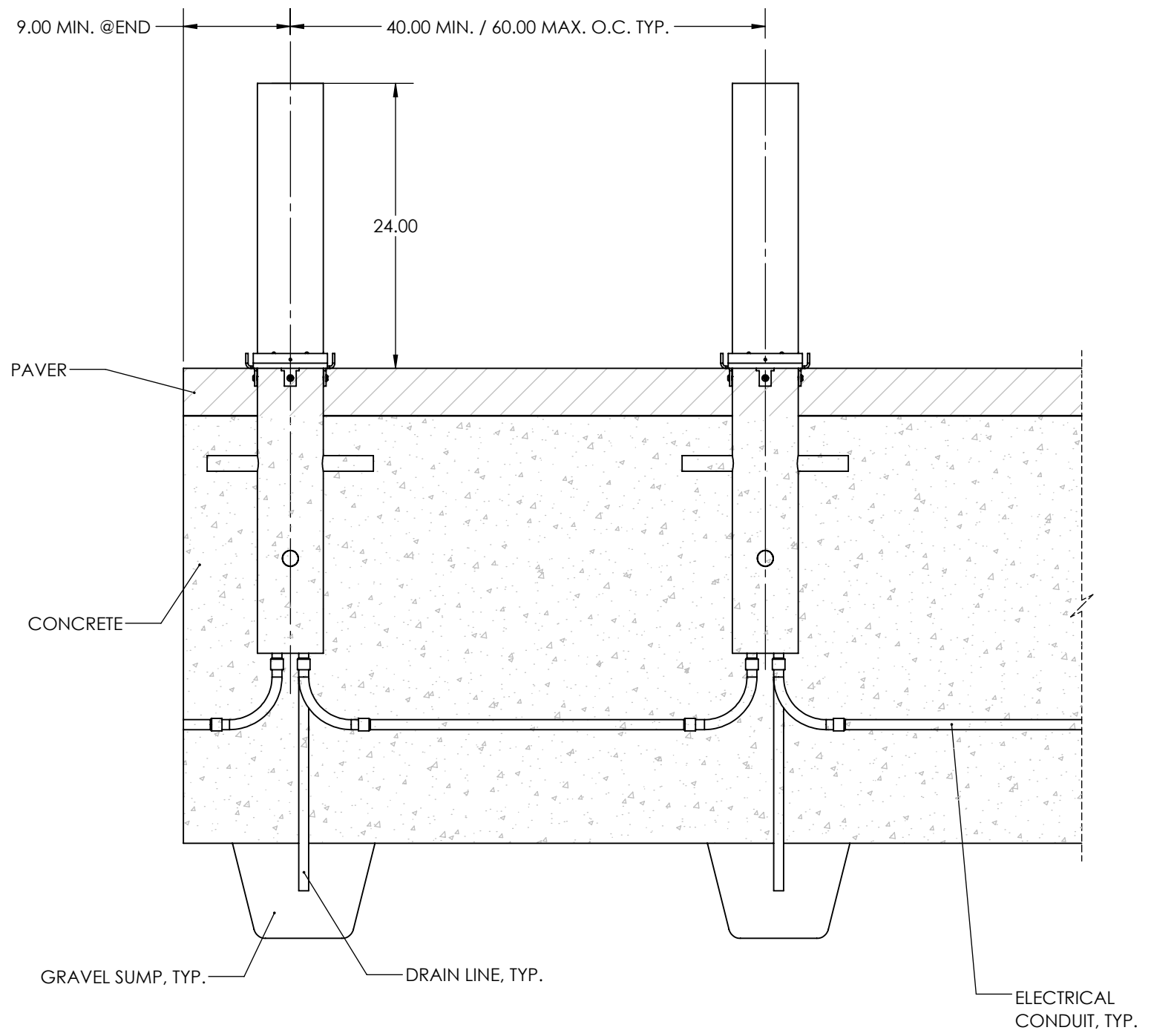
D

C

B



END VIEW (PARTIAL SECTION)



SIDE VIEW (PARTIAL SECTION)

NOTES:

- FOOTINGS HAVE BEEN DESIGNED TO BEAR ON UNDISTURBED SOIL OR PROPERLY COMPACTED ENGINEERED FILL ASSUMING A NET BEARING CAPACITY OF 3000 PSF.
- CONCRETE WORK SHALL BE DONE IN ACCORDANCE WITH THE "BUILDING CODE REQUIREMENTS FOR REINFORCED CONCRETE" (ACI 318) AND THE SPECIFICATIONS FOR STRUCTURAL CONCRETE (ACI 301) OF THE AMERICAN CONCRETE INSTITUTE (EDITIONS AS REQUIRED BY GOVERNING CODE).
- CAST-IN-PLACE CONCRETE SHALL BE NORMAL WEIGHT CONCRETE WITH A MINIMUM 28-DAY COMPRESSIVE STRENGTH (F'C) OF 5000 PSI UNO.
- PROVIDE 6% (+/-1.5%) AIR ENTRAINMENT IN CONCRETE EXPOSED TO FREEZE/THAW.

UNLESS OTHERWISE SPECIFIED:
 1. PRIMARY DIM. ARE IN INCHES & SECONDARY [DIM] IN MM
 2. TOLERANCES
 FRACTIONAL: ±1/32; ANGULAR/BEND: ±1°
 TWO PLACE DECIMAL ±.030
 THREE PLACE DECIMAL ±.020
 3. REMOVE ALL BURRS AND SHARP EDGES
 THIRD ANGLE PROJECTION
 MATERIAL: N/A
 FINISH: N/A
 WEIGHT: N/A
 SCALE: NOT TO SCALE

FORMS+SURFACES 30 Pine Street, Pittsburgh, PA 15223
 Tel (412) 781-9003 Fax (412) 781-7840

NAME	DATE
DWN YAF	05/25/2023
CHK	

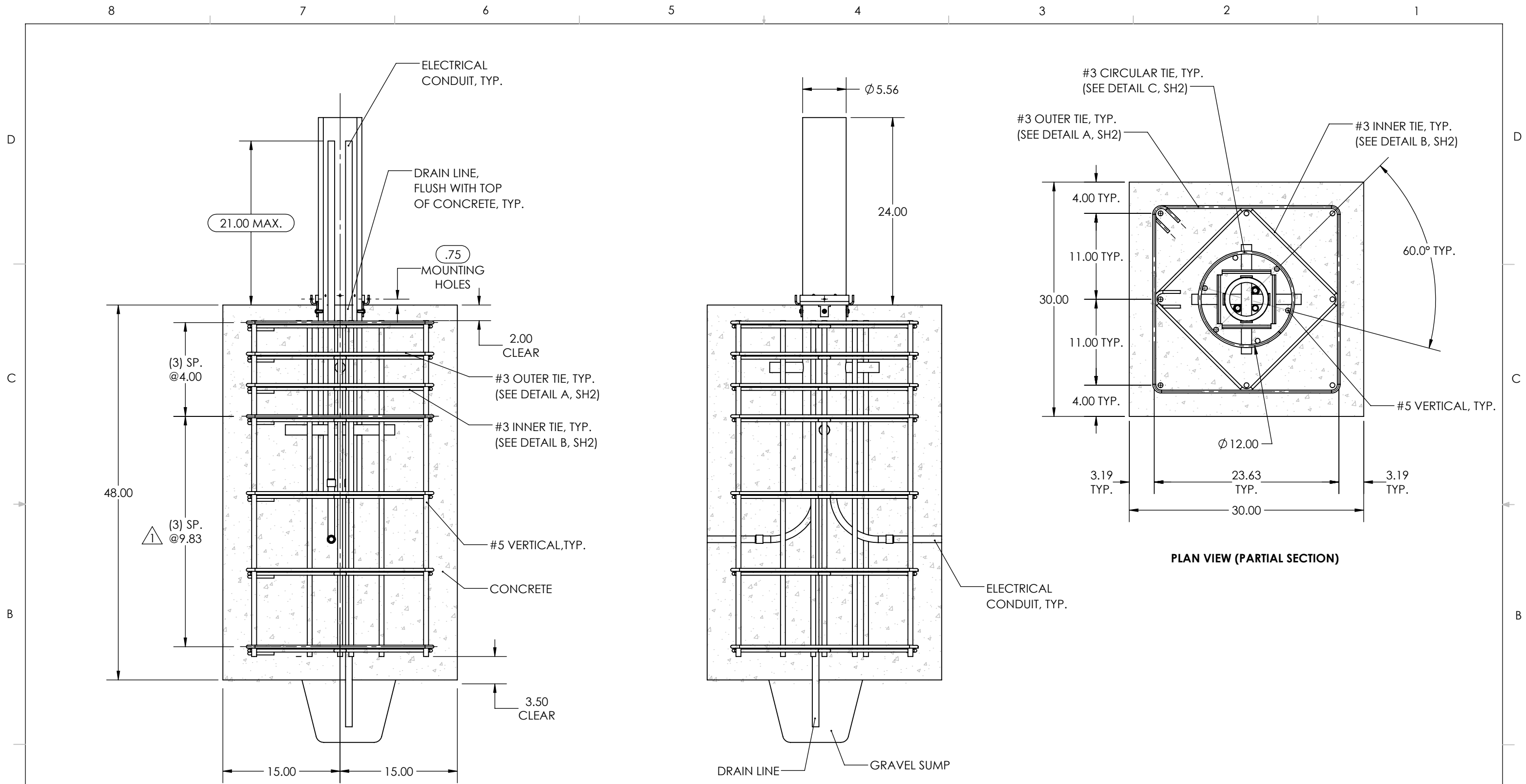
DESCRIPTION:			
FORMS+SURFACES			
S10-P1 SECURITY CORE, KNIGHT			
STRIP FOUNDATION WITH PAVER			
SIZE	DWG. NO.	REV	SHEET
B	S10-DP-STR-PV-LBKNI-INSTALL	0	1 OF 1

REV.	DESCRIPTION	REVISED BY	DATE
0	INITIAL RELEASE	-----	-----

8 7 6 5 4 3 2 1

A

A



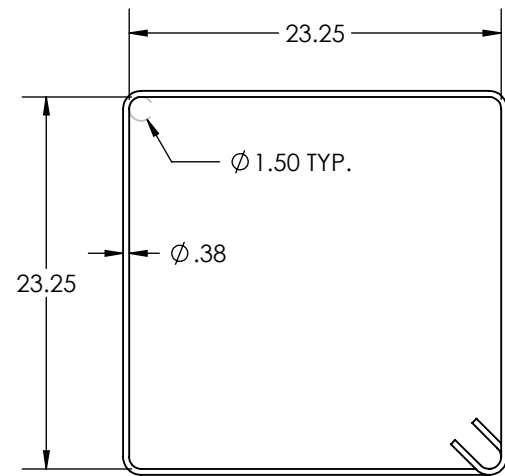
END VIEW (PARTIAL SECTION)

SIDE VIEW (PARTIAL SECTION)

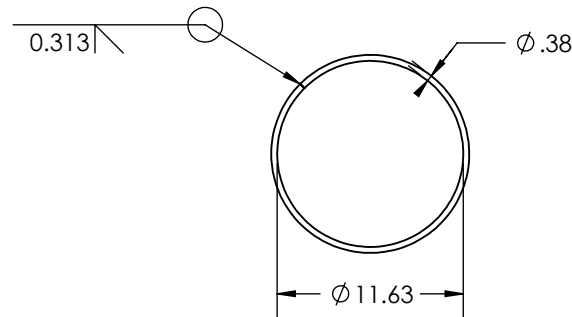
PLAN VIEW (PARTIAL SECTION)

UNLESS OTHERWISE SPECIFIED: 1. PRIMARY DIM. ARE IN INCHES & SECONDARY [DIM] IN MM 2. TOLERANCES FRACTIONAL: ±1/32; ANGULAR/BEND: ±1° TWO PLACE DECIMAL ±.030 THREE PLACE DECIMAL ±.020 3. REMOVE ALL BURRS AND SHARP EDGES		 30 Pine Street, Pittsburgh, PA 15223 Tel (412) 781-9003 Fax (412) 781-7840	
NAME	DATE		
DWN	RTS	10/15/21	FORMS+SURFACES SC30-P1 SECURITY CORE, KNIGHT INDIVIDUAL FOUNDATION, NO PAVER
CHK			
MATERIAL: N/A		DO NOT SCALE DRAWING	
FINISH: N/A		PROPRIETARY AND CONFIDENTIAL	
WEIGHT: N/A		THE INFORMATION CONTAINED IN THIS DRAWING IS THE SOLE PROPERTY OF FORMS + SURFACES. ANY REPRODUCTION IN PART OR AS A WHOLE WITHOUT WRITTEN PERMISSION IS PROHIBITED.	
SCALE: NOT TO SCALE		SIZE	DWG. NO.
		B	SC30-DP-IND-NP-LBKNI-INSTALL
		REV	SHEET
		1	1 OF 2

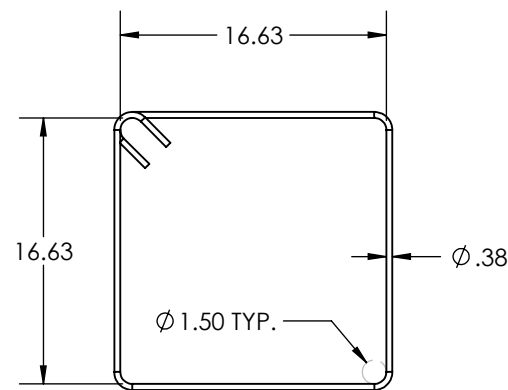
1	BOTTOM REBAR SPACING WAS 9.75"	YAF	05/31/2023
REV.	DESCRIPTION	REVISED BY	DATE



DETAIL A
#3 OUTER TIE, TYP.



DETAIL C
#3 CIRCULAR TIE, TYP.


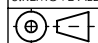


DETAIL B
#3 INNER TIE, TYP.

REBAR CHART	
BAR SIZE	DIAMETER
#3	Ø 0.375
#5	Ø 0.625

NOTES:

- FOOTINGS HAVE BEEN DESIGNED TO BEAR ON UNDISTURBED SOIL OR PROPERLY COMPACTED ENGINEERED FILL ASSUMING A NET BEARING CAPACITY OF 2000 PSF.
- REINFORCED CONCRETE WORK SHALL BE DONE IN ACCORDANCE WITH THE "BUILDING CODE REQUIREMENTS FOR REINFORCED CONCRETE" (ACI 318) AND THE SPECIFICATIONS FOR STRUCTURAL CONCRETE (ACI 301) OF THE AMERICAN CONCRETE INSTITUTE (EDITIONS AS REQUIRED BY GOVERNING CODE).
- CAST-IN-PLACE CONCRETE SHALL BE NORMAL WEIGHT CONCRETE WITH A MINIMUM 28-DAY COMPRESSIVE STRENGTH (F'C) OF 5000 PSI UNO.
- PROVIDE 6% (+/-1.5%) AIR ENTRAINMENT IN CONCRETE EXPOSED TO FREEZE/THAW.
- DEFORMED BAR REINFORCEMENT SHALL BE ASTM A615, GRADE 60; SEE CHART FOR SIZING.
- REINFORCEMENT SHALL BE SECURELY HELD IN PLACE WHILE PLACING CONCRETE. IF REQUIRED, ADDITIONAL BARS, STIRRUPS, OR CHAIRS SHALL BE PROVIDED TO FURNISH SUPPORT FOR SPECIFIED BARS.

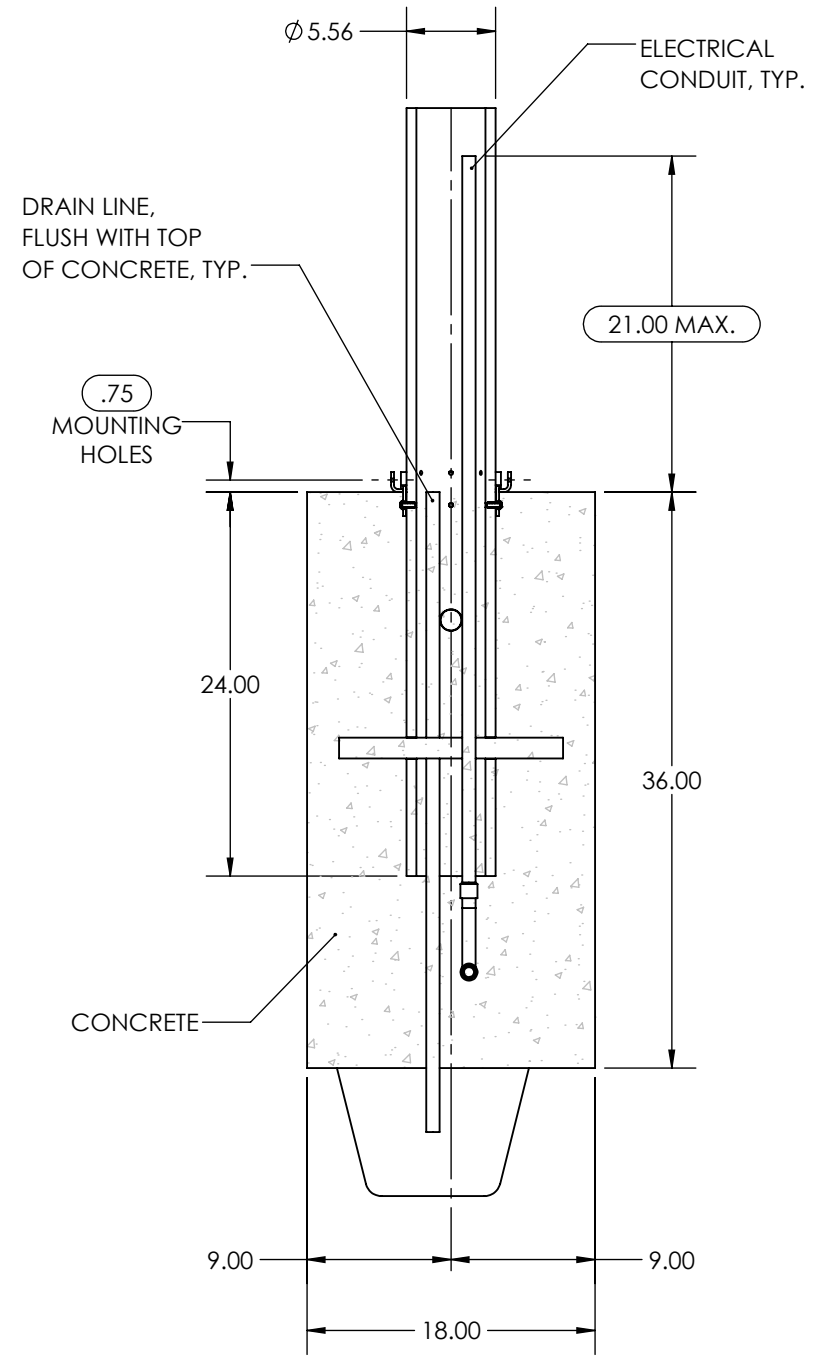
UNLESS OTHERWISE SPECIFIED: 1. PRIMARY DIM. ARE IN INCHES & SECONDARY [DIM] IN MM 2. TOLERANCES FRACTIONAL: ±1/32; ANGULAR/BEND: ±1° TWO PLACE DECIMAL ±.030 THREE PLACE DECIMAL ±.020 3. REMOVE ALL BURRS AND SHARP EDGES		 30 Pine Street, Pittsburgh, PA 15223 Tel (412) 781-9003 Fax (412) 781-7840					
THIRD ANGLE PROJECTION 							
MATERIAL: N/A	FINISH: N/A	NAME	DATE	DESCRIPTION: FORMS+SURFACES SC30-P1 SECURITY CORE, KNIGHT INDIVIDUAL FOUNDATION, NO PAVER			
WEIGHT: N/A	SCALE: NOT TO SCALE	DWN	RTS				
		CHK	10/15/21				
		DO NOT SCALE DRAWING PROPRIETARY AND CONFIDENTIAL THE INFORMATION CONTAINED IN THIS DRAWING IS THE SOLE PROPERTY OF FORMS + SURFACES. ANY REPRODUCTION IN PART OR AS A WHOLE WITHOUT WRITTEN PERMISSION IS PROHIBITED.		SIZE B	DWG. NO. SC30-DP-IND-NP-LBKN-INSTALL	REV ?	SHEET 2 OF 2

8 7 6 5 4 3 2 1

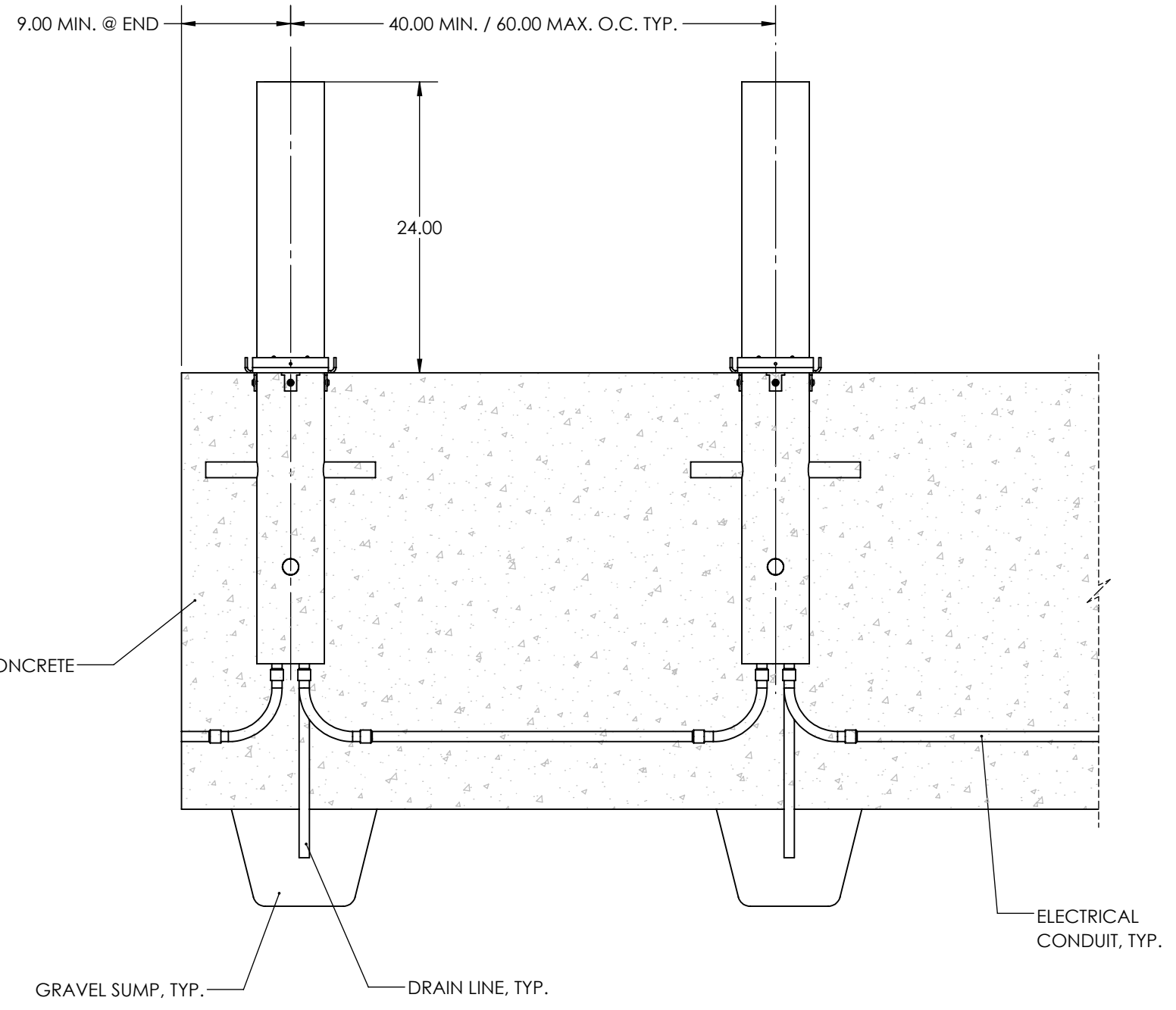
D

C

B



END VIEW (PARTIAL SECTION)



SIDE VIEW (PARTIAL SECTION)

NOTES:

1. FOOTINGS HAVE BEEN DESIGNED TO BEAR ON UNDISTURBED SOIL OR PROPERLY COMPACTED ENGINEERED FILL ASSUMING A NET BEARING CAPACITY OF 3000 PSF.
2. CONCRETE WORK SHALL BE DONE IN ACCORDANCE WITH THE "BUILDING CODE REQUIREMENTS FOR REINFORCED CONCRETE" (ACI 318) AND THE SPECIFICATIONS FOR STRUCTURAL CONCRETE (ACI 301) OF THE AMERICAN CONCRETE INSTITUTE (EDITIONS AS REQUIRED BY GOVERNING CODE).
3. CAST-IN-PLACE CONCRETE SHALL BE NORMAL WEIGHT CONCRETE WITH A MINIMUM 28-DAY COMPRESSIVE STRENGTH (F'C) OF 5000 PSI UNO.
4. PROVIDE 6% (+/-1.5%) AIR ENTRAINMENT IN CONCRETE EXPOSED TO FREEZE/THAW.

UNLESS OTHERWISE SPECIFIED:
 1. PRIMARY DIM. ARE IN INCHES & SECONDARY [DIM] IN MM
 2. TOLERANCES
 FRACTIONAL: ±1/32; ANGULAR/BEND: ±1°
 TWO PLACE DECIMAL ±.030
 THREE PLACE DECIMAL ±.020
 3. REMOVE ALL BURRS AND SHARP EDGES
 THIRD ANGLE PROJECTION
 MATERIAL: N/A
 FINISH: N/A
 WEIGHT: N/A
 SCALE: NOT TO SCALE



30 Pine Street, Pittsburgh, PA 15223
 Tel (412) 781-9003 Fax (412) 781-7840

NAME	DATE
DWN YAF	05/25/2023
CHK	

DESCRIPTION:			
FORMS+SURFACES			
S10-P1 SECURITY CORE, KNIGHT			
STRIP FOUNDATION, NO PAVER			
SIZE	DWG. NO.	REV	SHEET
B	S10-DP-STR-NP-LBKNH-INSTALL	0	1 OF 1

REV.	DESCRIPTION	REVISED BY	DATE
0	INITIAL RELEASE	-----	-----

8 7 6 5 4 3 2 1

A

A

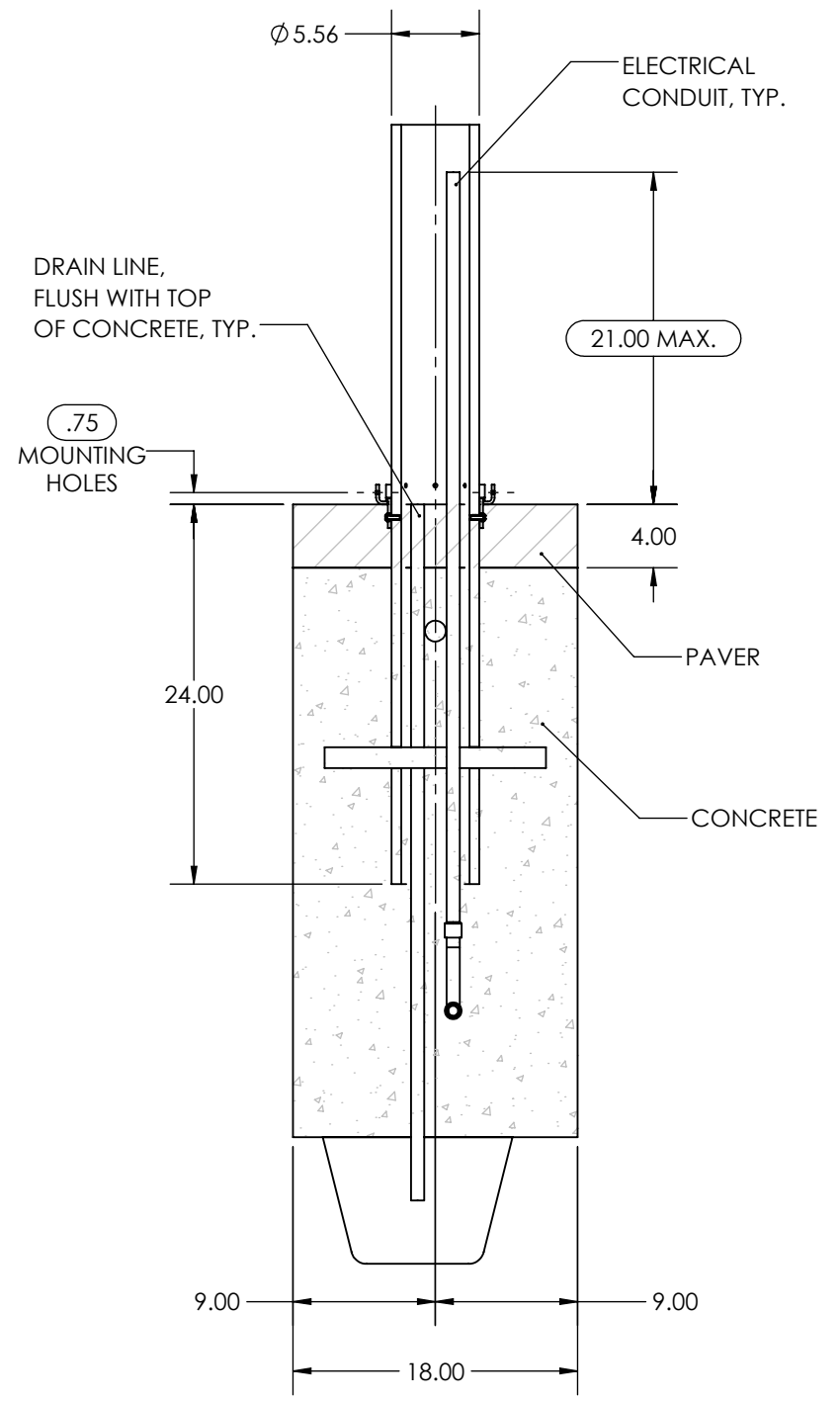
8 7 6 5 4 3 2 1

D

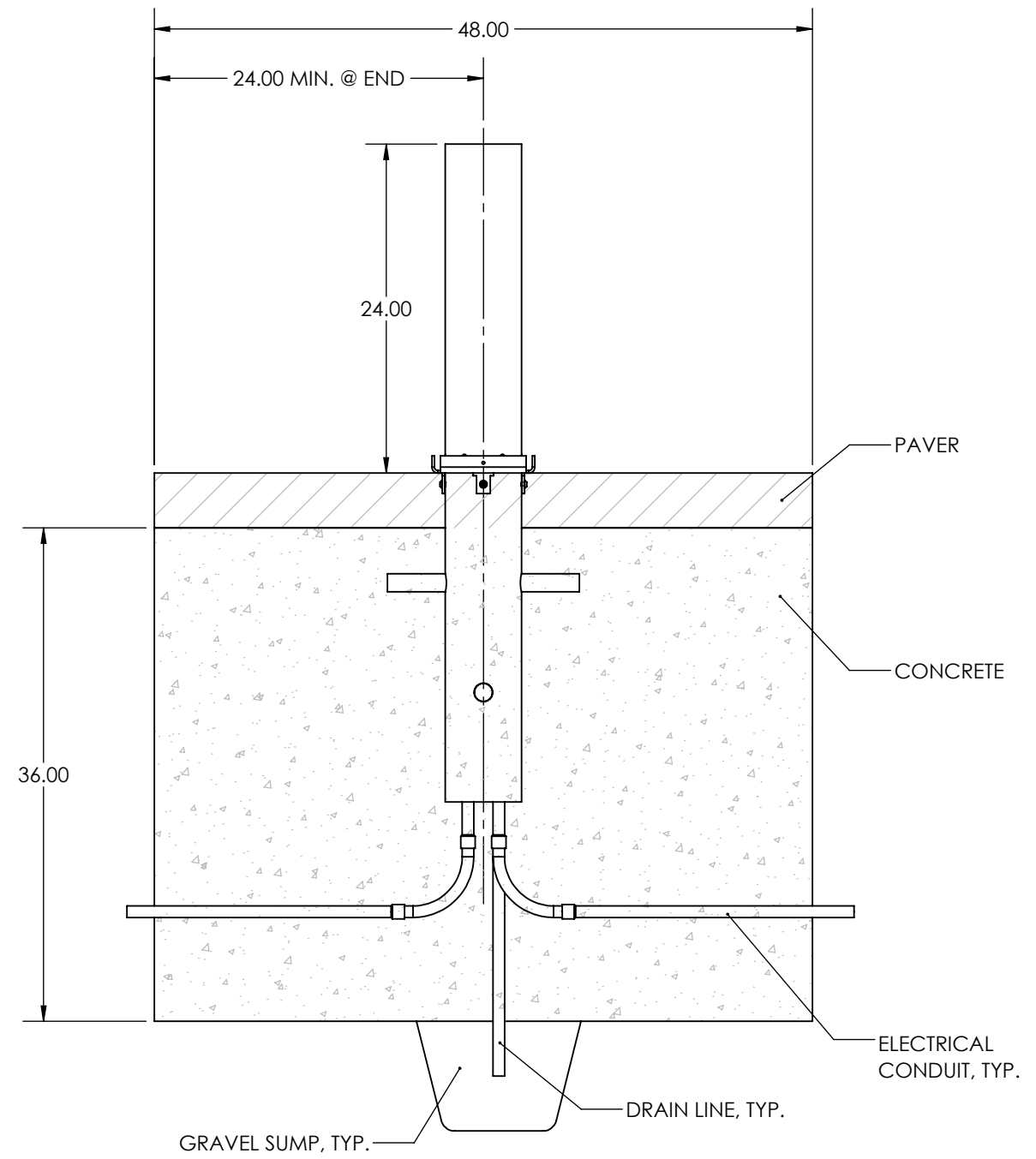
C

B

A



END VIEW (PARTIAL SECTION)



SIDE VIEW (PARTIAL SECTION)

NOTES:

- FOOTINGS HAVE BEEN DESIGNED TO BEAR ON UNDISTURBED SOIL OR PROPERLY COMPACTED ENGINEERED FILL ASSUMING A NET BEARING CAPACITY OF 3000 PSF.
- CONCRETE WORK SHALL BE DONE IN ACCORDANCE WITH THE "BUILDING CODE REQUIREMENTS FOR REINFORCED CONCRETE" (ACI 318) AND THE SPECIFICATIONS FOR STRUCTURAL CONCRETE (ACI 301) OF THE AMERICAN CONCRETE INSTITUTE (EDITIONS AS REQUIRED BY GOVERNING CODE).
- CAST-IN-PLACE CONCRETE SHALL BE NORMAL WEIGHT CONCRETE WITH A MINIMUM 28-DAY COMPRESSIVE STRENGTH (F'C) OF 5000 PSI UNO.
- PROVIDE 6% (+/-1.5%) AIR ENTRAINMENT IN CONCRETE EXPOSED TO FREEZE/THAW.

0	INITIAL RELEASE	-----	-----
REV.	DESCRIPTION	REVISED BY	DATE

<p>UNLESS OTHERWISE SPECIFIED: 1. PRIMARY DIM. ARE IN INCHES & SECONDARY [DIM] IN MM 2. TOLERANCES FRACTIONAL: ±1/32; ANGULAR/BEND: ±1° TWO PLACE DECIMAL ±.030 THREE PLACE DECIMAL ±.020 3. REMOVE ALL BURRS AND SHARP EDGES</p>		<p>FORMS+SURFACES 30 Pine Street, Pittsburgh, PA 15223 Tel (412) 781-9003 Fax (412) 781-7840</p>									
<p>THIRD ANGLE PROJECTION</p>	<table border="1"> <tr> <th>NAME</th> <th>DATE</th> </tr> <tr> <td>DWN</td> <td>YAF</td> </tr> <tr> <td>CHK</td> <td></td> </tr> </table>	NAME	DATE	DWN	YAF	CHK		<p>DESCRIPTION: FORMS+SURFACES S10-P1 SECURITY CORE, KNIGHT INDIVIDUAL FOUNDATION, WITH PAVER</p>			
NAME	DATE										
DWN	YAF										
CHK											
<p>MATERIAL: N/A</p>	<p>DO NOT SCALE DRAWING</p>		<table border="1"> <tr> <th>SIZE</th> <th>DWG. NO.</th> <th>REV</th> <th>SHEET</th> </tr> <tr> <td>B</td> <td>S10-DP-IND-PV-LBKN-INSTALL</td> <td>0</td> <td>1 OF 1</td> </tr> </table>	SIZE	DWG. NO.	REV	SHEET	B	S10-DP-IND-PV-LBKN-INSTALL	0	1 OF 1
SIZE	DWG. NO.	REV	SHEET								
B	S10-DP-IND-PV-LBKN-INSTALL	0	1 OF 1								
<p>FINISH: N/A</p>	<p>PROPRIETARY AND CONFIDENTIAL THE INFORMATION CONTAINED IN THIS DRAWING IS THE SOLE PROPERTY OF FORMS + SURFACES. ANY REPRODUCTION IN PART OR AS A WHOLE WITHOUT WRITTEN PERMISSION IS PROHIBITED.</p>										
<p>WEIGHT: N/A</p>											
<p>SCALE: NOT TO SCALE</p>											

8 7 6 5 4 3 2 1